

Service Manual

CD6000K/N1B/T1B
/N1G/T1G

CD Player

CD6000 KI



REMARK : This service manual explains the electrical differences between the CD6000K/N1B/T1B/N1G/T1G (KI version) and CD6000F/N1B/T1B/N1G/T1G (OSE version).

All other information is described in the service manual of the model CD6000F/N1B/T1B/N1G/T1G (Code number : **3120 785 00060**). The dispatch of the parts for after sales service has to be referred to these service manuals, with the first priority.

For this reason, please use these service manuals with referring to the model CD6000 OSE service manual without fail.

The CD6000 KI is equal to the CD6000 OSE except the following electrical changes (mechanical changes are not listed):

Main PCB

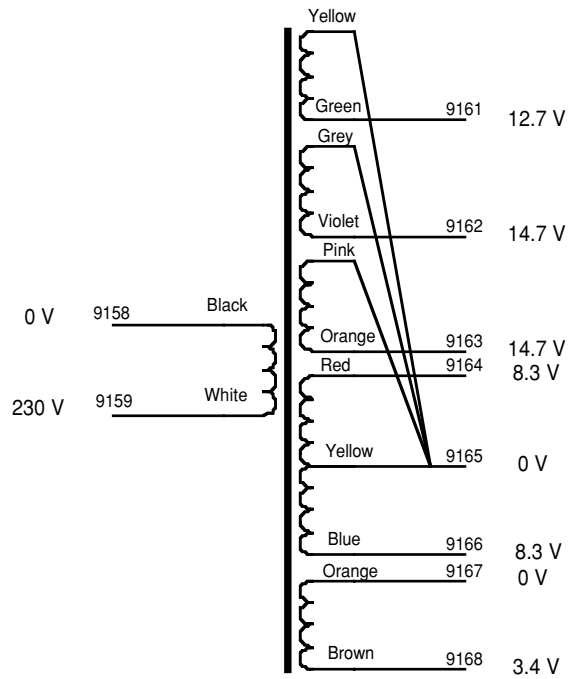
Position No.	Service code	Description
2131, 2132	9965 000 08117	3300uF 25V
2115, 2116, 2223,2224, 2225,2226	4822 124 80123	220uF 16V Silmic
2311, 2312, 2316, 2317	4822 124 80958	470uF 16V Silmic
5110	4822 146 10377	230V Transformer
3249, 3250, 3251,3252, 3711, 3712, 3713, 3714	--	Short circuited

marantz®

CD6000 KI

Transformer Connections

Below the color coding and the connections for the transformer wires are given.

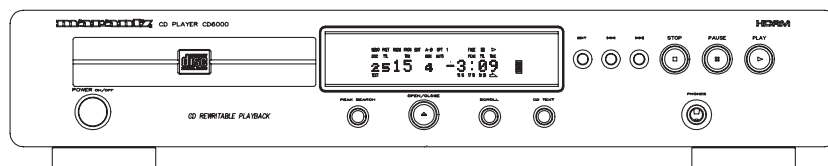


Service Manual

CD6000 /N1B, /N1G, /T1B, /K1B, /K1G
CD6000F /N1B, /N1G, /T1B, /U1B, /F1B, /F1N
CD Player

CD6000

CD6000



CD6000SE

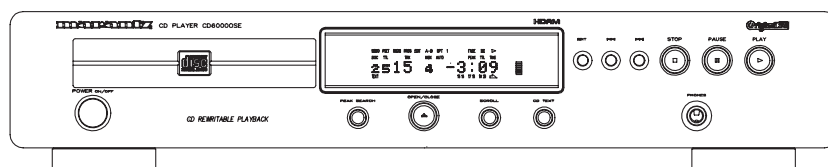


TABLE OF CONTENTS

1. TECHNICAL SPECIFICATIONS	1
2. SERVICING HINTS	2
3. SERVICINE TOOLS	2
4. SERVICE MODE	4
5. MICROPROCESSOR AND IC DATA	5
6. BLOCK DIAGRAM	7
7. WIRING DIAGRAM	9
8. SCHEMATIC DIAGRAM AND PARTS LOCATION	11
9. EXPLODED VIEW AND PARTS LIST	30
10. ELECTRICAL PARTS LIST	34

Please use this service manual with referring to the user guide (D.F.U) without fail.
修理の際は、必ず取扱説明書を準備し操作方法を確認の上作業を行って下さい。

marantz®

- CD6000 / CD6000SE -

marantz® SERVICE BULLETIN		Date: 10-May-01	Model: CD6000/CD6000OSE
		Page: 1/1	REF.NB MZ01-013
Circulation:		Subject:	
Application:		Correction of parts code number and description (POS. NO 5).	
x for information customer complaint in case of service mandatory 			
		Int.ref:	

[PHENOMENON]

The part number and description for POS.NO 5 mentioned on page 33 of the service manual (255W855010, 3120 785 00060) are incorrect.

CD LOADER EXPLODED VIEW (page 33)

POS. NO	VERS. COLOR	PART NO. (FOR PCS)	DESCRIPTION
5		4822-402-61412	BRACKET, STEEL

[CORRECTION]

The correct spare parts code number and description are;

POS. NO	VERS. COLOR	PART NO. (FOR PCS)	DESCRIPTION
5		4822 401 11709	DISC CLAMP VAM1201 ONLY

marantz® SERVICE BULLETIN		Date: 16-Mar-01	Model: CD6000,CD6000OSE
		Page: 1/1	REF.NB MZ01-004
Circulation:		Subject:	
Application:		Change of CD mechanism and CD loader	
x for information customer complaint in case of service mandatory		SV00xxxxxxxxxx XE00xxxxxxxxxx XE01xxxxxxxxxx XE02xxxxxxxxxx	
		Int.ref:	

[PHENOMENON]

CD mechanism and CD loader (with Disc clamper) was changed as follows.

Service code	CD mechanism	Clumper (color)	CD loader
SV00	VAM1201/01	GRAY	L1260/41
XE00	VAM1202/02	BLACK	L1260/61
XE01	VAM1201/11	GRAY	L1260/41
XE02	VAM1201/11	GRAY	L1260/45

[SOLUTION]

When replace the **CDmechanism** with the new one as repair, please remark the service modification code and refer to the following details.

1. In case of service modification code **SV00, XE01, XE02**

Replace the CD mechanism with the new one **VAM1201/11 (4822 691 10615, 356K304500)** only.

2. In case of service modification code **XE00**

Replace both the CD mechanism and the disc clamper with the new ones **VAM1201/11 (4822 691 10615, 356K304500), disc clamper <GRAY> (4822 401 11709, 305K005600).**

marantz® SERVICE BULLETIN		Date: 16-Mar-01	Model: CD6000,CD6000OSE
		Page: 1/1	REF.NB MZ01-003
Circulation:		Subject:	
Application:		Problem with the function "DELETE PROGRAMMING".	
x for information customer complaint in case of service mandatory		Problem with the emphasis CD playback.	
		Int.ref:	
SV00xxxxxxxxxx XE00xxxxxxxxxx and XE01xxxxxxxxxx			

[PHENOMENON]

Problem with the function "DELETE PROGRAMMING".

When playing back the CD in "DELETE PROGRAMMING" mode. If only one track is deleted, then the next track and all following tracks will not be played back.

In case of several tracks are deleted, then it will be repeated to first track after playing back last track.

Problem with the emphasis CD play back.

When playback several emphasis CD's continuously.

The second emphasis CD is played back without de-emphasis after the first emphasis CD has played back.

[SOLUTION]

Replace the microprocessor 7600 with the improved one <uPD7806GF-098-3BA> (9965 000 06337, HU255WN03F). The improved one is available with above code numbers.

[REMARK]

This improvement has been done in the production line after the service modification code number "XE02" and later. The lot number and the service modification code are mentioned in the serial number label on the rear panel. (ex. XE02 xxxxxxxxxxxx)

This service bulletin is the revised one (MZ00-009).

Please replace the service bulletin MZ00-009 with this one.

marantz® SERVICE BULLETIN		Date: 10-Aug-00	Model: CD6000,CD6000OSE
		Page: 1/1	REF.NB MZ00-009
Circulation:		Subject:	
Application:		Problem with the function "DELETE PROGRAMMING".	
x for information customer complaint in case of service mandatory		Problem with the emphasis CD playback.	
		Int.ref:	

[PHENOMENON]

Problem with the function "DELETE PROGRAMMING".

When playing back the CD in "DELETE PROGRAMMING" mode. If only one track is deleted, then the next track and all following tracks will not be played back.

In case of several tracks are deleted, this phenomenon will not be appeared.

Problem with the emphasis CD play back.

When playback several emphasis CD's continuously.

The second emphasis CD is played back without de-emphasis after the first emphasis CD has played back.

[SOLUTION]

Replace the **microprocessor 7600** with the improved one <u**PD7806GF-098-3BA**> (**9965 000 06337, HU255WN03F**). The improved one is available with above code numbers.

[REMARK]

This improvement has been done in the production line after the service modification code number "XE01" and later. The lot number and the service modification code are mentioned in the serial number label on the rear panel. (ex. **XE01 xxxxxxxxxxxx**)

marantz® SERVICE BULLETIN		Date: 13-Jun-2003	Model: CD6000
		Page: 1/1	REF.NBR: MZ00-007 Rev
Circulation:		Application:	
x for information customer complaint in case of service mandatory		See below	
		Subject: Recorded CD-R disc can not be played back	
		Int.ref:	

[PHENOMENON]

Recorded CD-R disc can not be played back very few.

[REASONS]

CD player can not detect the CD-R disc.

[SOLUTION]

Add the capacitor <10pF 50V NP0 0805> (5322 122 32448, **DD91100300**) to the position **2509** on the HF AMP PCB.

[REMARKS]

<Revision>

This solution has already been applied in the production after the serial number as below and later.

CD6000/N2G	XE040312006992 and later.
CD6000F/N2G	XE040313008949 and later.
CD6000L/N1G	XE040312006383 and later.
CD6000F/N2B	XE040313009836 and later.
CD6000L/N1B	XE040312006273 and later.
CD6000L/T1B	XE040312003101 and later.
CD6000/K2G	XE040316001063 and later.

marantz® SERVICE BULLETIN		Date: 10-Aug-00	Model: CD6000,CD6000OSE
		Page: 1/1	REF.NB MZ00-007
Circulation:		Application:	
x for information customer complaint in case of service mandatory		All	
		Subject: Recorded CD-R disc can not be playback.	
		Int.ref:	

[PHENOMENON]

Recorded CD-R disc can not be played back very few.

[REASON]

CD-R disc can not be detected by CD player.

[SOLUTION]

Add the capacitor <10pF 50V NP0 0805> (5322 122 32448, DD91100300) to the position 2509 on the HF AMP PCB.

[REMARK]

This modification has to applied for product which has above mentioned phenomenon only.
Then this modification will be not applied at production.

MARANTZ DESIGN AND SERVICE

Using superior design and selected high grade components, **MARANTZ** company has created the ultimate in stereo sound. Only original **MARANTZ** parts can insure that your **MARANTZ** product will continue to perform to the specifications for which it is famous.

Parts for your **MARANTZ** equipment are generally available to our National Marantz Subsidiary or Agent.

ORDERING PARTS :

Parts can be ordered either by mail or by Fax.. In both cases, the correct part number has to be specified.

The following information must be supplied to eliminate delays in processing your order :

1. Complete address
2. Complete part numbers and quantities required
3. Description of parts
4. Model number for which part is required
5. Way of shipment
6. Signature : any order form or Fax. must be signed, otherwise such part order will be considered as null and void.

<p>USA MARANTZ AMERICA, INC. 440 MEDINAH ROAD ROSELLE, ILLINOIS 60172 USA PHONE : 630 - 307 - 3100 FAX : 630 - 307 - 2687</p>	<p>EUROPE / TRADING MARANTZ EUROPE B.V. P.O.BOX 80002, BUILDING SFF2 5600 JB EINDHOVEN THE NETHERLANDS PHONE : +31 - 40 - 2732241 FAX : +31 - 40 - 2735578</p>	<p>BRAZIL MARANTZ BRAZIL CAIXA POSTAL 21462 CEP 04698-970 SAO PAULO, SP, BRAZIL PHONE : 0800 - 123123(Discagem Direta Gratuita) FAX : +55 11 534. 8988</p>
<p>PROFESSIONAL AMERICAS SUPERSCOPE TECHNOLOGIES, INC. MARANTZ PROFESSIONAL PRODUCTS 2640 WHITE OAK CIRCLE, SUITE A AURORA, ILLINOIS 60504 USA PHONE : 630 - 820 - 4800 FAX : 630 - 820 - 8103</p>	<p>CANADA LENBROOK INDUSTRIES LIMITED 633 GRANITE COURT, PICKERING, ONTARIO L1W 3K1 CANADA PHONE : 905 - 831 - 6333 FAX : 905 - 831 - 6936</p>	
<p>AUSTRALIA SCAN AUDIO PTY. LTD. 52 CROWN STREET, RICHMOND 3121 VICTORIA AUSTRALIA PHONE : +61 - 3 - 9429 - 2199 FAX : +61 - 3 - 9429 - 9309</p>	<p>THAILAND MRZ STANDARD CO.,LTD 746 - 754 MAHACHAI ROAD., WANGBURAPAPIROM, PHRANAKORN, BANGKOK, 10200 THAILAND PHONE : +66 - 2 - 222 9181 FAX : +66 - 2 - 224 6795</p>	<p>SINGAPORE WO KEE HONG (S) PTE LTD WO KEE HONG CENTRE NO.23, LORONG 8, TOA PAYOH SINGAPORE 319257 PHONE : +65 2544555 FAX : +65 2502213</p>
<p>NEW ZEALAND SCAN AUDIO PTY. LTD. 8C PIERMARK DRIVE, ALBANY. NORTH SHORE, AUCKLAND. NEW ZEALAND PHONE : +64 - 9444 - 4710 FAX : +64 - 9444 - 1346</p>	<p>TAIWAN PAI- YUING CO., LTD. 6 TH FL NO, 148 SUNG KIANG ROAD, TAIPEI, 10429, TAIWAN R.O.C. PHONE : +886 - 2 - 25221304 FAX : +886 - 2 - 25630415</p>	<p>MALAYSIA WO KEE HONG ELECTRONICS SDN. BHD. NO. 102 JALAN SS 21/35, DAMANSARA UTAMA, 47400 PETALING JAYA SELANGOR DARUL EHSAN, MALAYSIA PHONE : +60 3 - 7184666 FAX : +60 3 - 7173828</p>
<p>JAPAN Technical MARANTZ JAPAN, INC. 35- 1, 7- CHOME, SAGAMIONO SAGAMIHARA - SHI, KANAGAWA JAPAN 228-8505 PHONE : +81 42 748 1013 FAX : +81 42 748 9190</p>	<p style="text-align: center;">日本マランツ株式会社</p> <p>本社 〒228-8505 神奈川県相模原市相模大野7-35-1 営業本部 〒150-0022 東京都渋谷区恵比寿南1-11-9</p>	<p>KOREA MK ENTERPRISES LTD. ROOM 604/605, ELECTRO-OFFICETEL, 16-58, 3GA, HANGANG-RO, YONGSAN-KU, SEOUL KOREA PHONE : +822 - 3232 - 155 FAX : +822 - 3232 - 154</p>

SHOCK, FIRE HAZARD SERVICE TEST :

CAUTION : After servicing this appliance and prior to returning to customer, measure the resistance between either primary AC cord connector pins (with unit NOT connected to AC mains and its Power switch ON), and the face or Front Panel of product and controls and chassis bottom.

Any resistance measurement less than 1 Megohms should cause unit to be repaired or corrected before AC power is applied, and verified before it is return to the user/customer.

Ref. UL Standard No. 1492.

In case of difficulties, do not hesitate to contact the Technical Department at above mentioned address.

1. TECHNICAL SPECIFICATIONS

Audio Characteristics

Channels	2 channels
Sampling frequency (CD mode)	44.1 kHz
Quantization	16-bit linear/channel
Error correction ..	Cross-interleave read solomon code (CIRC)
D/A conversion	1-bit linear/channel
Wow & flutter	Precision of quartz

Optical Readout System

Laser	AlGaAs semiconductor
Wavelength	780 nm

Frequency Characteristics

Frequency range	5 Hz - 20 kHz
Dynamic range	>98 dB
S/N ratio	>110 dB
Channel separation (1 kHz)	>103 dB
THD (1 kHz)	0.0025 %
Analog output	
Output level (cinch JACKS)	2.0 V RMS
Output impedance	250 ohms
Digital output	
Output level (cinch JACK)	0.5 Vp-p/75 ohms
Output level (optical JACK)	-19 dBm

Power Supply

Power requirement	
/K version	110 / 220V AC 50/60 Hz
/N,/T version	230V AC 50 Hz
/U version	120V AC 60 Hz
Power Consumption	13 W

Cabinet, etc.

Dimensions	
Width	440mm
Height	86mm
Depth	312mm
Netweight (CD6000)	4.1 kg
Netweight (CD6000F)	5.6 kg
Operating temperatures	+5°C ~ +35°C
Operating humidity	5 % ~ 90 % (without dew)

Accessories

Remote control unit (RC6000CD)	1
AAA (R03) Batteries	2
Stereo audio cable with cinch pins	1
Remote cable with cinch pin	1

Improvement may result in changes in specifications and design without notice.

オーディオ特性

チャンネル	2チャンネル
周波数特性	2Hz~20,000Hz, ±0.3dB
ダイナミックレンジ	98dB以上
S/N比	110dB
チャンネルセパレーション	103dB (1kHz)
高調波歪率	0.002% (1kHz)
ワウフラッター	水晶精度
誤り訂正方式	クロス・インターリーブ・リードソロモン・コード (CIRC)
音声出力	2.0V RMSステレオ
デジタル出力	ピンジャック 0.5Vp-p/75Ω (角型光コネクター) 光出力 -19dBm

光学読み取り方式

レーザー	AlGaAs 半導体
波長	780nm

信号方式

サンプリング周波数	44.1kHz
量子化	16ビットリニア / チャンネル

電源部

電源	AC 100V 50/60Hz
消費電力 (電気用品取締法)	13W

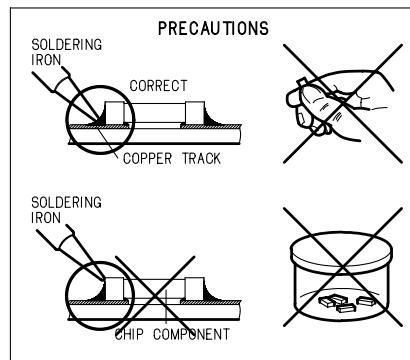
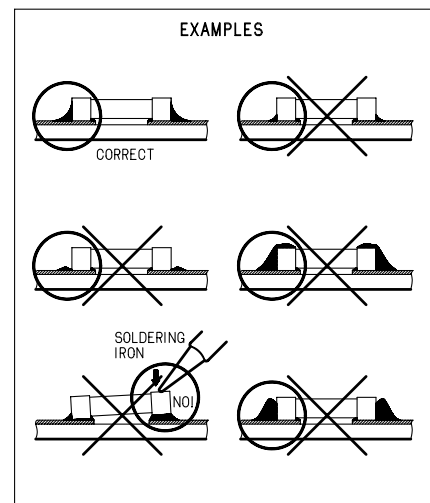
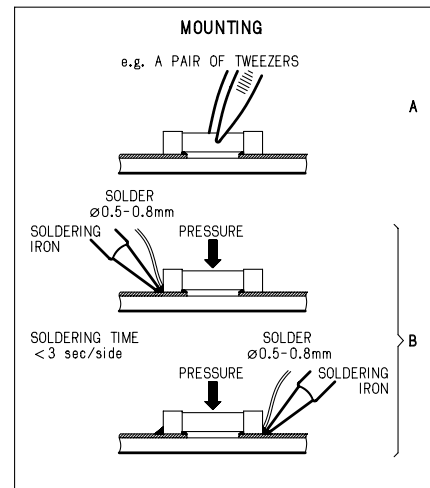
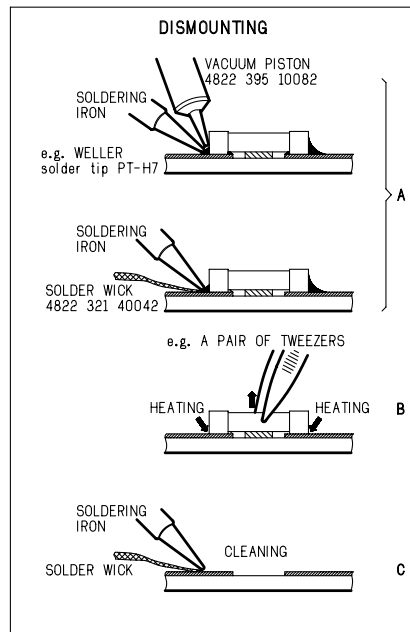
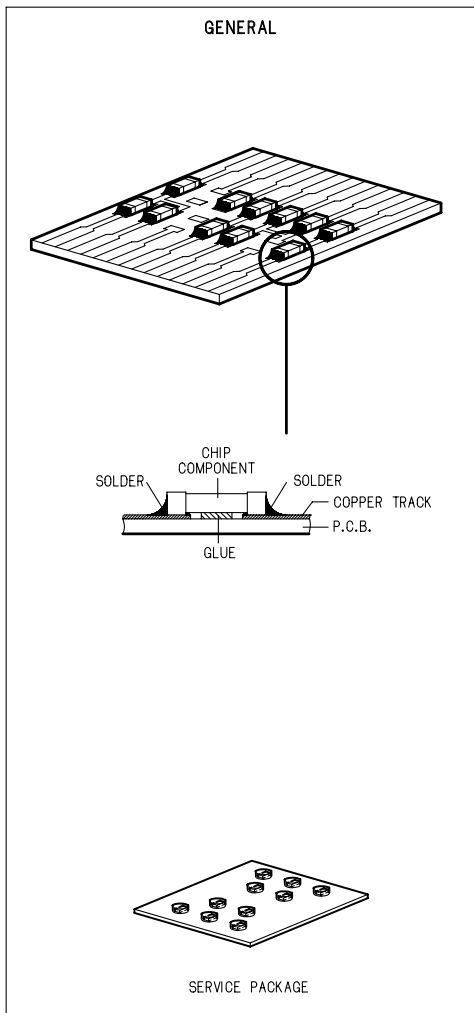
キャビネット・その他

最大外形寸法 (幅×高さ×奥行き)	440×86×312mm
質量	5.6kg
許容動作温度	+5°C ~ +35°C
許容動作湿度	5%~90% (結露のないこと)

付属品

リモートコントロール送信機 (RC6000CD)	1
外形寸法 (幅×高さ×奥行き)	50×145×23mm
質量(電池なし)	55g
単四電池(SUM-4)	2個
RCAピンコード	1組
リモート接続コード	1本

2. SERVICING HINTS



3. SERVICE TOOLS

Audio signals disc	4822 397 30184
Disc without errors (SBC444)+	
Disc with DO errors, black spots and fingerprints (SBC444A)	4822 397 30245
Disc (65 min 1kHz) without no pause	4822 397 30155
Max. diameter disc (58.0 mm)	4822 397 60141
Torx screwdrivers	
Set (straight)	4822 395 50145
Set (square)	4822 395 50132
13th order filter	4822 395 30204

(GB) WARNING

All ICs and many other semiconductors are susceptible to electrostatic discharges (ESD). Careless handling during repair can reduce life drastically. When repairing, make sure that you are connected with the same potential as the mass of the set via a wristband with resistance. Keep components and tools at this potential.

ESD



(NL) WAARSCHUWING

Alle IC's en vele andere halfgeleiders zijn gevoelig voor electrostatische ontladingen (ESD). Onzorgvuldig behandelen tijdens reparatie kan de levensduur drastisch doen verminderen. Zorg ervoor dat u tijdens reparatie via een polsband met weerstand verbonden bent met hetzelfde potentiaal als de massa van het apparaat. Houd componenten en hulpmiddelen ook op ditzelfde potentiaal.

(F) ATTENTION

Tous les IC et beaucoup d'autres semi-conducteurs sont sensibles aux décharges statiques (ESD). Leur longévité pourrait être considérablement écourtée par le fait qu'aucune précaution n'est prise à leur manipulation. Lors de réparations, s'assurer de bien être relié au même potentiel que la masse de l'appareil et enfilez le bracelet sert d'une résistance de sécurité. Veiller à ce que les composants ainsi que les outils que l'on utilise soient également à ce potentiel.

(D) WARNUNG

Alle ICs und viele andere Halbleiter sind empfindlich gegenüber elektrostatischen Entladungen (ESD). Unvorsichtige Behandlung im Reparaturfall kann die Lebensdauer drastisch reduzieren. Sorgen Sie dafür, daß sie im Reparaturfall über ein Pulsarmband mit Widerstand mit dem Massepotential des Gerätes verbunden sind. Halten Sie Bauteile und Hilfsmittel ebenfalls auf diesem Potential.

(I) AVVERTIMENTO

Tutti IC e parecchi semi-conduttori sono sensibili alle scariche statiche (ESD). La loro longevità potrebbe essere fortemente ridatta in caso di non osservazione della più grande cauzione alla loro manipolazione. Durante le riparazioni occorre quindi essere collegato allo stesso potenziale che quello della massa dell'apparecchio tramite un braccialetto a resistenza. Assicurarsi che i componenti e anche gli utensili con quali si lavora siano anche a questo potenziale.

(GB) AVAILABLE ESD PROTECTION EQUIPMENT :

anti-static table mat large 1200x650x1.25mm
small 600x650x1.25mm

anti-static wristband

connection box (3 press stud connections, 1M)

extendible cable (2m, 2M, to connect wristband to connection box)

connecting cable (3m, 2M, to connect table mat to connection box)

earth cable (1M, to connect any product to mat or to connection box)

KIT ESD3 (combining all 6 prior products - small table mat)

wristband tester

4822 466 10953
4822 466 10958
4822 395 10223
4822 320 11307
4822 320 11305
4822 320 11306
4822 320 11308
4822 310 10671
4822 344 13999

AVAILABLE JIG for FR980

Extension PCB and wire kit

4822 395 10815

(GB)

Safety regulations require that the set be restored to its original condition and that parts which are identical with those specified be used. Safety components are marked by the symbol

(F)

Les normes de sécurité exigent que l'appareil soit remis à l'état d'origine et que soient utilisées les pièces de rechange identiques à celles spécifiées. Les composants de sécurité sont marqués

SAFETY



(D)

Bei jeder Reparatur sind die geltenden Sicherheitsvorschriften zu beachten. Der Originalzustand des Gerätes darf nicht verändert werden. Für Reparaturen sind Originalersatzteile zu verwenden. Sicherheitsbauteile sind durch das Symbol markiert.

(NL)

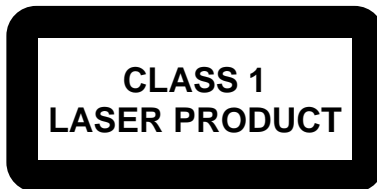
Veiligheidsbepalingen vereisen, dat het apparaat in zijn oorspronkelijke toestand wordt teruggebracht en dat onderdelen, identiek aan de gespecificeerde, worden toegepast. De Veiligheidsonderdelen zijn aangeduid met het symbool

(I)

Le norme di sicurezza estigono che l'apparecchio venga rimesso nelle condizioni originali e che siano utilizzati i pezzi di ricambio identici a quelli specificati. Componenti di sicurezza sono marcati con

(GB)

DANGER: Invisible laser radiation when open. AVOID DIRECT EXPOSURE TO BEAM.



(S) Varning !

Osynlig laserstrålning när apparaten är öppnad och spärren är urkopplad. Beträkta ej strålen.

(DK) Advarsel !

Usynlig laserstråling ved åbning når sikkerhedsafbrydere er ude af funktion. Undgå udsættelse for stråling.

(SF) Varoitus !

Avatussa laitteessa ja suojalukituksen ohitettaessa olet alttiina näkymättömälle laserisäteilylle. Älä katso säteeseen !

(GB)

After servicing and before returning the set to customer perform a leakage current measurement test from all exposed metal parts to earth ground, to assure no shock hazard exists. The leakage current must not exceed 0.5mA.

(F)

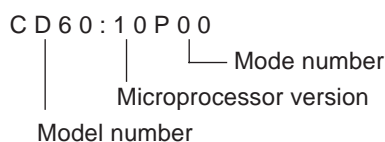
"Pour votre sécurité, ces documents doivent être utilisés par des spécialistes agréés, seuls habilités à réparer votre appareil en panne".

4. SERVICE MODE

1. How to enter into the Service Mode

Turn the power on while pressing [PLAY]+[OPEN/CLOSE] buttons together.

The display shows “model number”, “microprocessor version” and “mode”.



2. Mode 0 (display “P 00”)

Condition: [FOCUS OFF], [SPINDLE OFF], [RADIAL OFF], [MUTE ON]

- While pressing [NEXT ►►] button, the sledge moves out side.
And, release from this button. The sledge return to neutral position.
- Press [NEXT ►►] button, the function will change to “Mode 1”.

3. Mode 1 (display “P 01”)

Condition: [FOCUS ON], [SPINDLE OFF], [RADIAL OFF], [MUTE ON]

- Press [NEXT ►►] button, the function will change to “Mode 2”.
- Press [PREV ◄◄] button, the function will change to “Mode 0”.

4. Mode 2 (display “P 02”)

Condition: [FOCUS ON], [SPINDLE ON], [RADIAL OFF], [MUTE ON]

- Press [NEXT ►►] button, the function will change to “Mode 3”.
- Press [PREV ◄◄] button, the function will change to “Mode 1”.

5. Mode 3 (display “P 03”)

Condition: [FOCUS ON], [SPINDLE ON], [RADIAL ON], [MUTE OFF]

- Press [PREV ◄◄] button, the function will change to “Mode 2”.

* The following button operations are available at the Service Mode.

- 1) While pressing [STOP] button, FL display shows all segments.
- 2) Press [PAUSE] button. FL display shows each segments one by one automatically. (Segments test mode) And, press [PAUSE] button again, this mode will be stopped.
- 3) The same as Normal operation is performed by pressing [PLAY] button. (Except segments test mode.) However if some default is detected, display shows an error code. (For example: “Err 10”) Refer to the “Table 1 ERROR CODE”.

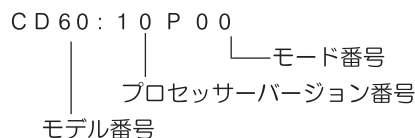
6. Canceling the Service Mode

The Service Mode is canceled by turning the power off.

4. サービスモード

1. サービスモードへの入り方

[PLAY]と[OPEN/CLOSE] ボタンを押しながら電源を入れます。モデル番号及びプロセッサバージョン番号、モード番号を表示します。



2. モード 0 (表示 P 0 0)

状態：[FOCUS OFF] [SPINDLE OFF] [RADIAL OFF] [MUTE ON]

- [NEXT ►►] ボタンを押している間だけスレッドが外周へ移動します。ボタンを放すと原点に戻ります。
- [NEXT ►►] ボタンを押すとモード 1 へ移行します。

3. モード 1 (表示 P 0 1)

状態：[FOCUS ON] [SPINDLE OFF] [RADIAL OFF] [MUTE ON]

- [NEXT ►►] ボタンを押すとモード 2 へ移行します。
- [PREV ◄◄] ボタンを押すとモード 0 へ移行します。

4. モード 2 (表示 P 0 2)

状態：[FOCUS ON] [SPINDLE ON] [RADIAL OFF] [MUTE ON]

- [NEXT ►►] ボタンを押すとモード 3 へ移行します。
- [PREV ◄◄] ボタンを押すとモード 0 へ移行します。

5. モード 3 (表示 P 0 3)

状態：[FOCUS ON] [SPINDLE ON] [RADIAL ON] [MUTE OFF]

- [PREV ◄◄] ボタンを押すとモード 2 へ移行します。

* サービスモードの全ての状態で以下のボタンが有効です。

- 1) [STOP] ボタンを押している間だけFLが全点灯します。
- 2) [PAUSE] ボタンを押すとFL各部自動点灯テストを行ないます。もう一度押すとテストを中止します。
- 3) [PLAY] ボタンを押すと通常（サービスモード以外）と同じ動作となります。ただし、上記のFL各部自動点灯テスト中を除きます。
動作中、異常が確認された時にエラー番号が表示されません。（例：Err 10）
下記の表を参考にしてください。

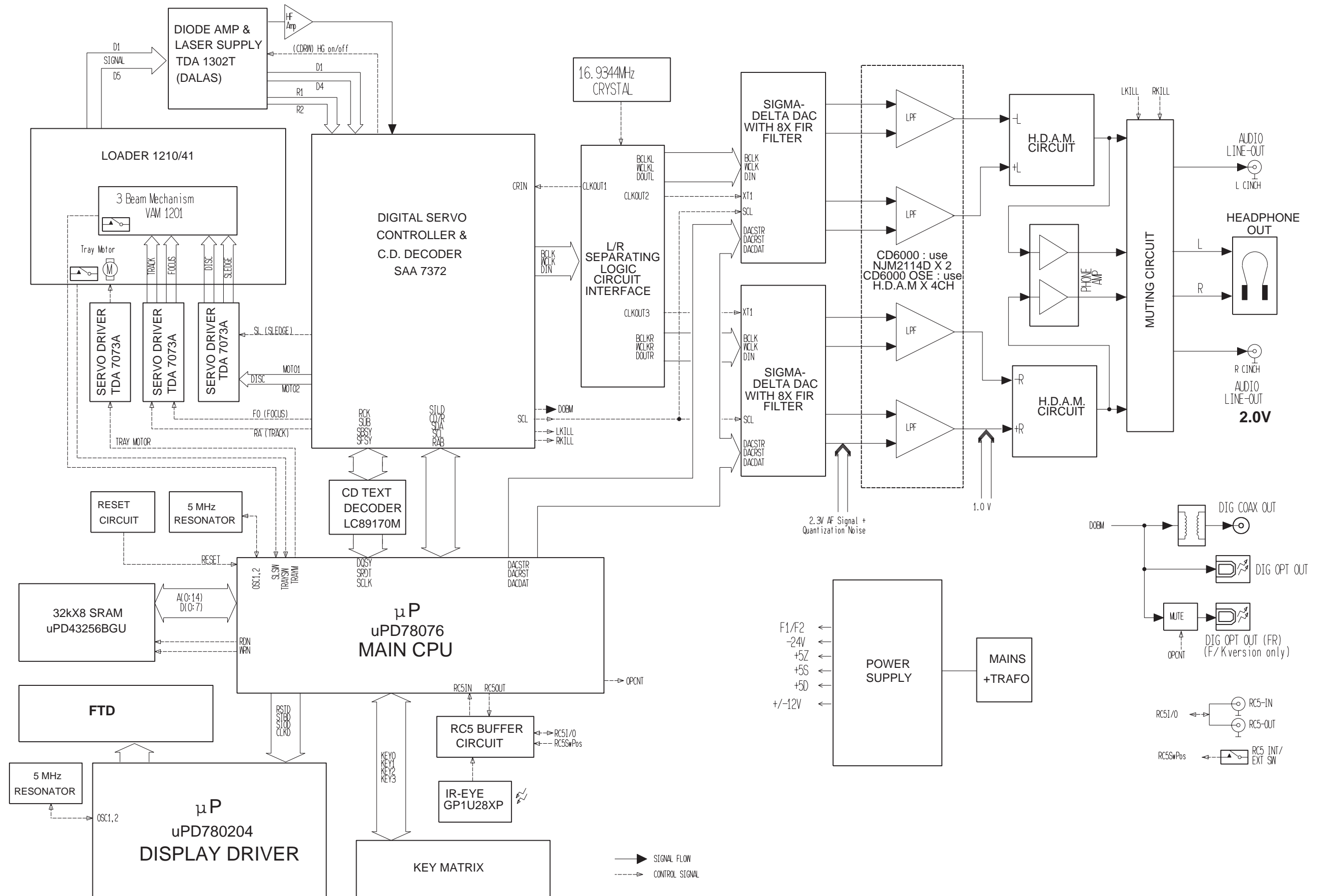
6. サービスモードの解除

電源を切るとサービスモードが解除されます。

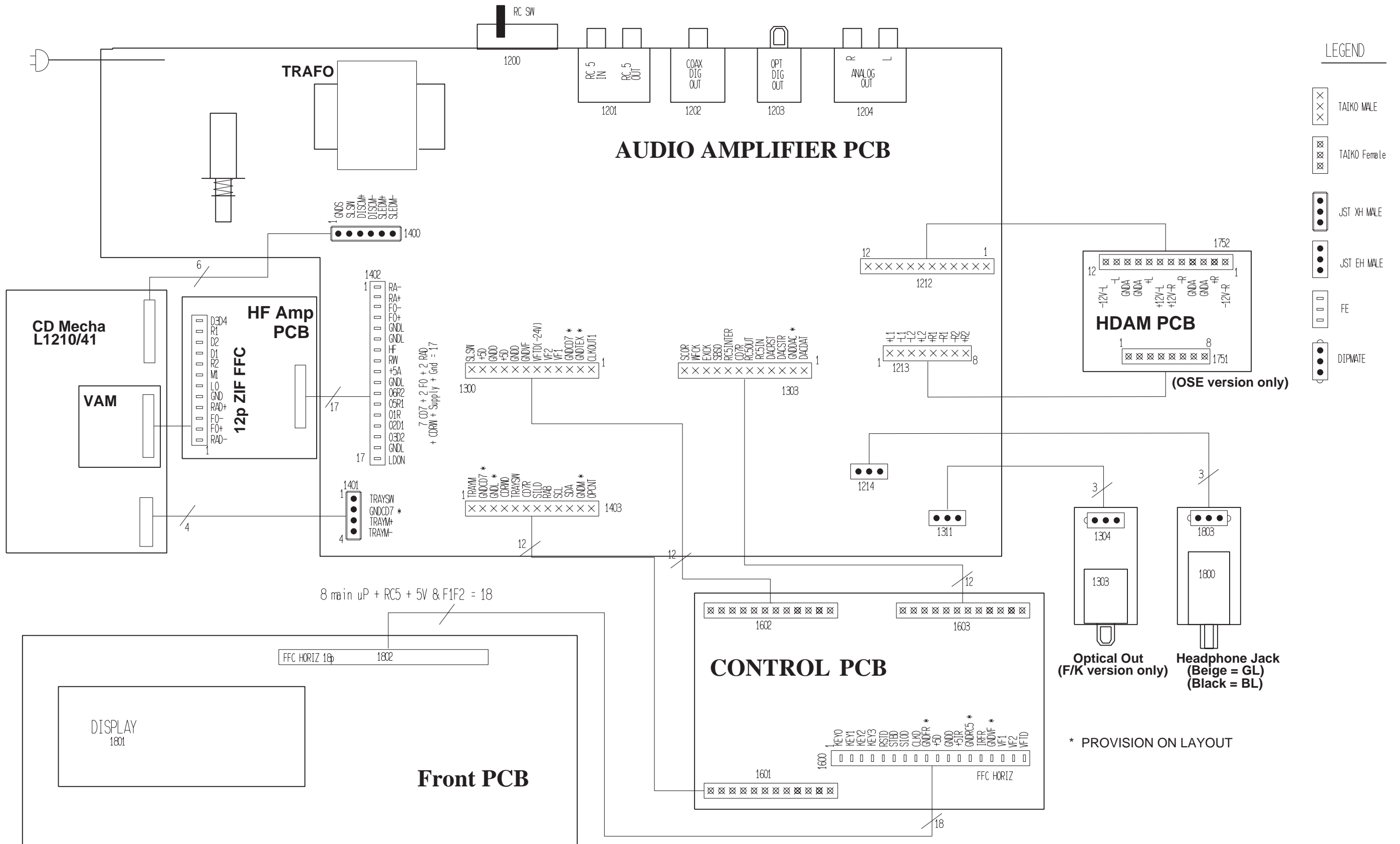
Table 1 ERROR CODE

Error Code	Error
Err 02	FOCUS Error
Err 07	SUB CODE Error
Err 08	T. O. C. Error
Err 09	DECODER Error
Err 10	RADIAL Error
Err 11, 12	SLEDGE Error
Err 13	SPINDLE Error
Err 16 ~ 20	SEARCH Error
Err 30	DOOR Error
Err 31	TRAY Error
Err 32 ~ 47	BUTTON INPUT Error

6. BLOCK DIAGRAM

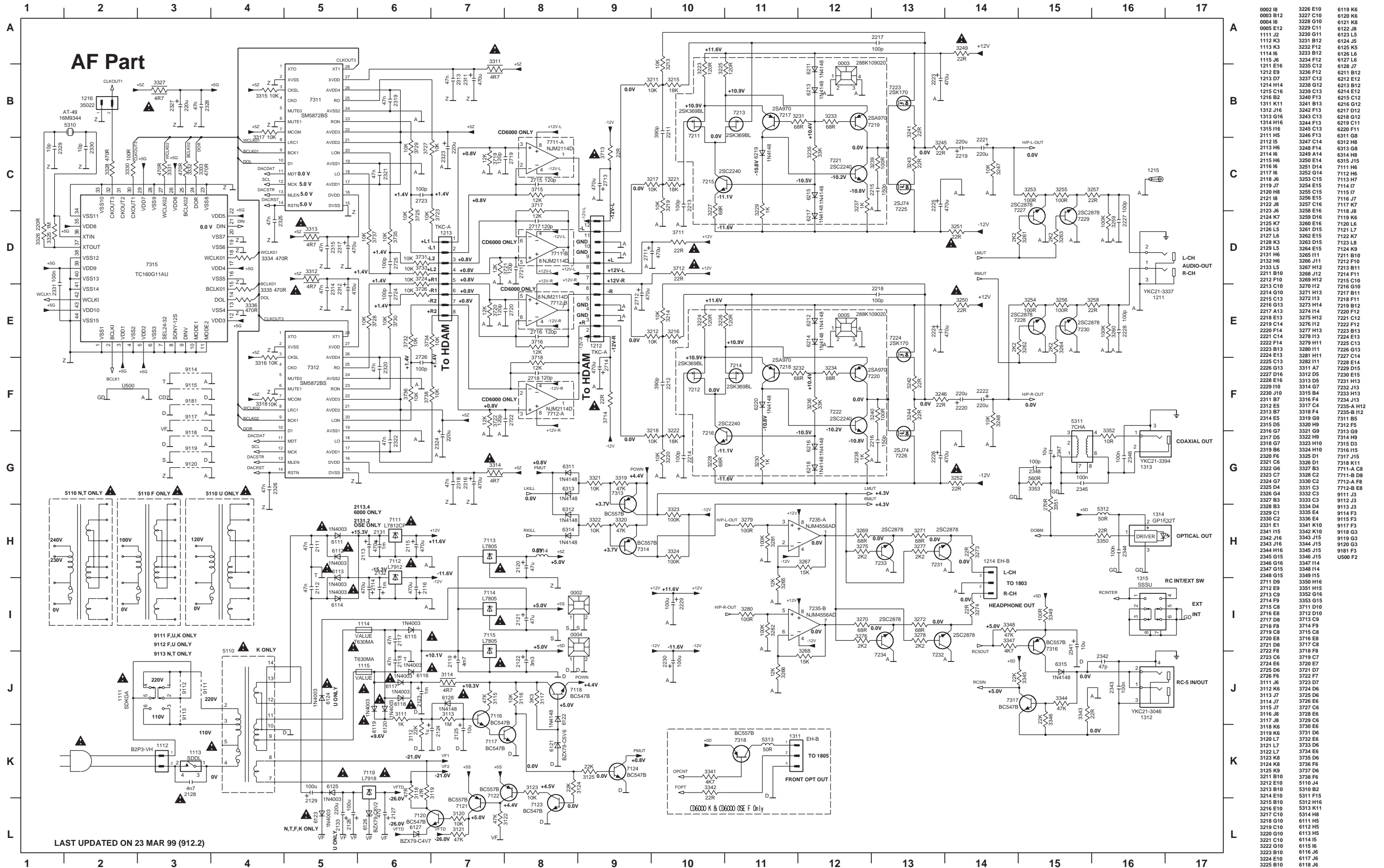


7. WIRING DIAGRAM



8. SCHEMATIC DIAGRAM AND PARTS LOCATION

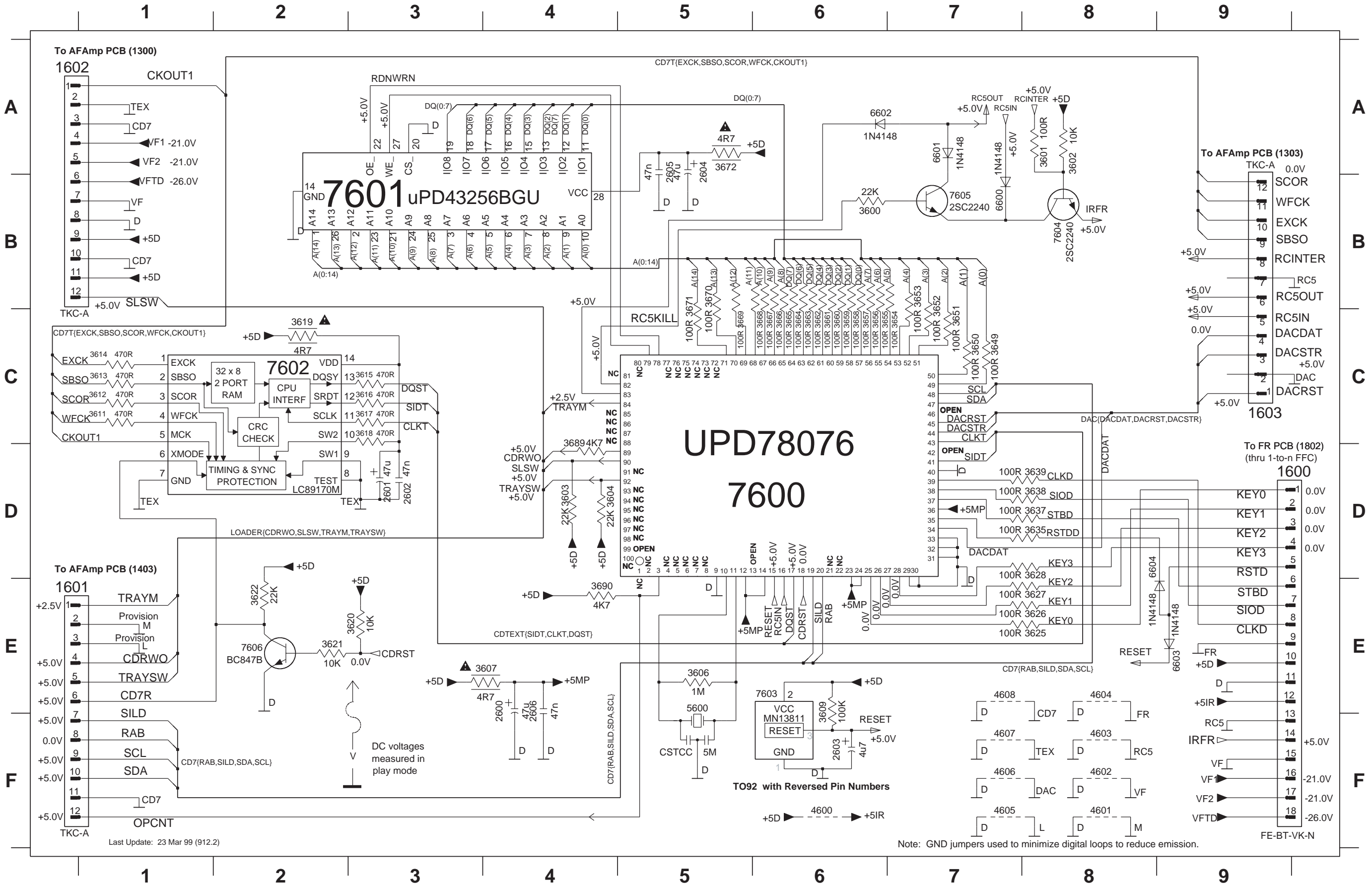
AUDIO AMPLIFIER PCB AF PART



0002 I8	3226 E10	6119 K6
0003 B12	3227 C10	6120 K6
0004 I8	3228 G10	6121 K8
0005 E12	3229 C11	6122 J8
1111 J2	3230 G11	6123 L5
1112 K3	3231 B12	6124 J5
1113 K3	3232 F12	6125 K5
1114 I6	3233 B12	6126 L6
1115 J6	3234 F12	6127 L6
1211 E16	3235 C12	6128 J7
1212 E9	3236 F12	6211 B12
1213 D7	3237 C12	6212 E12
1214 H14	3238 G12	6213 B12
1215 C16	3239 C13	6214 E12
1216 B2	3240 F13	6215 C12
1311 K11	3241 B13	6216 G12
1312 J16	3242 F13	6217 D12
1313 G16	3243 C13	6218 G12
1314 H16	3244 F13	6219 C11
1315 I6	3245 C13	6220 F11
2111 H5	3246 F13	6311 G8
2112 I5	3247 C14	6312 H8
2113 H6	3248 F14	6313 G8
2114 H6	3249 A14	6314 H8
2115 H6	3250 E14	6315 J15
2116 I6	3251 D14	7111 H6
2117 I6	3252 G14	7112 H6
2118 J6	3253 C15	7113 H7
2119 J6	3254 E15	7114 H8
2120 H8	3255 C15	7115 I7
2121 I8	3256 E15	7116 J7
2122 J8	3257 C16	7117 K7
2123 H8	3258 E16	7118 J8
2124 K7	3259 D16	7119 K6
2125 K7	3260 E16	7120 K6
2126 L5	3261 D15	7121 L7
2127 L6	3262 E15	7122 K7
2128 K3	3263 D15	7123 L6
2129 L5	3264 E15	7124 K9
2131 H6	3265 H11	7211 B10
2132 H6	3266 H11	7212 F10
2133 L5	3267 H12	7213 B11
2211 B10	3268 J12	7214 F11
2212 F10	3269 H12	7215 C10
2213 C10	3270 H12	7216 G10
2214 G10	3271 H13	7217 B11
2215 C13	3272 H13	7218 F11
2216 G13	3273 H14	7219 B12
2217 A13	3274 H14	7220 F12
2218 J13	3275 H14	7221 C12
2219 C14	3276 H12	7222 F12
2220 F14	3277 H13	7223 B13
2221 C14	3278 H13	7224 E13
2222 F14	3279 H14	7225 C13
2223 B13	3280 H11	7226 G13
2224 I13	3281 H11	7227 C14
2225 C13	3282 H11	7228 E14
2226 H10	3283 B11	7229 B14
2227 J10	3284 H11	7230 H13
2228 E16	3285 D15	7231 H13
2229 H10	3286 G17	7232 J13
2230 J10	3287 B14	7233 H13
2311 B7	3288 H11	7234 H13
2312 E5	3289 C4	7235 A H12
2313 B7	3290 F4	7235-B H12
2314 E5	3291 B9	7236 H12
2315 D5	3292 H9	7312 F5
2316 G7	3293 G9	7313 G9
2317 D5	3294 H9	7314 H9
2318 G7	3295 H10	7315 D3
2319 B10	3296 H10	7316 H15
2320 F6	3297 D11	7317 J15
2321 C6	3298 B11	7318 K11
2322 G6	3299 B3	7711-A C8
2323 B3	3300 C3	7711-B D8
2324 G7	3301 C2	7712-A F8
2325 D4	3302 C3	7712-B E8
2326 G4	3303 C3	9111 J3
2327 B3	3304 D4	9112 J3
2328 B3	3305 E4	9113 J3
2329 C1	3306 E4	9114 F3
2330 C2	3307 E4	9115 F3
2331 E1	3308 K10	9117 B5
2332 H15	3309 K10	9118 G3
2333 I15	3310 K10	9119 G3
2334 J16	3311 J15	9120 G3
2335 J16	3312 J15	9121 G3
2336 H16	3313 J15	9181 F3
2337 G15	3314 I14	U500 F2
2338 G15	3315 I14	
2339 I14	3316 I14	
2340 H14	3317 I14	
2341 G14	3318 I14	
2342 G14	3319 I14	
2343 G14	3320 I14	
2344 H16	3321 I14	
2345 G15	3322 I14	
2346 G16	3323 I14	
2347 G15	3324 I14	
2348 G15	3325 I14	
2349 G15	3326 I14	
2350 H16	3327 I14	
2351 H15	3328 I14	
2352 G16	3329 I14	
2353 G16	3330 I14	
2354 G16	3331 I14	
2355 G16	3332 I14	
2356 G16	3333 I14	
2357 G16	3334 I14	
2358 G16	3335 I14	
2359 G16	3336 I14	
2360 G16	3337 I14	
2361 G16	3338 I14	
2362 G16	3339 I14	
2363 G16	3340 I14	
2364 G16	3341 I14	
2365 G16	3342 I14	
2366 G16	3343 I14	
2367 G16	3344 I14	
2368 G16	3345 I14	
2369 G16	3346 I14	
2370 G16	3347 I14	
2371 G16	3348 I14	
2372 G16	3349 I14	
2373 G16	3350 I14	
2374 G16	3351 I14	
2375 G16	3352 I14	
2376 G16	3353 I14	
2377 G16	3354 I14	
2378 G16	3355 I14	
2379 G16	3356 I14	
2380 G16	3357 I14	
2381 G16	3358 I14	
2382 G16	3359 I14	
2383 G16	3360 I14	
2384 G16	3361 I14	
2385 G16	3362 I14	
2386 G16	3363 I14	
2387 G16	3364 I14	
2388 G16	3365 I14	
2389 G16	3366 I14	
2390 G16	3367 I14	
2391 G16	3368 I14	
2392 G16	3369 I14	
2393 G16	3370 I14	
2394 G16	3371 I14	
2395 G16	3372 I14	
2396 G16	3373 I14	
2397 G16	3374 I14	
2398 G16	3375 I14	
2399 G16	3376 I14	
2400 G16	3377 I14	
2401 G16	3378 I14	
2402 G16	3379 I14	
2403 G16	3380 I14	
2404 G16	3381 I14	
2405 G16	3382 I14	
2406 G16	3383 I14	
2407 G16	3384 I14	
2408 G16	3385 I14	
2409 G16	3386 I14	
2410 G16	3387 I14	
2411 G16	3388 I14	
2412 G16	3389 I14	
2413 G16	3390 I14	
2414 G16	3391 I14	
2415 G16	3392 I14	
2416 G16	3393 I14	
2417 G16	3394 I14	
2418 G16	3395 I14	
2419 G16	3396 I14	
2420 G16	3397 I14	
2421 G16	3398 I14	
2422 G16	3399 I14	
2423 G16	3400 I14	

CONTROL PCB

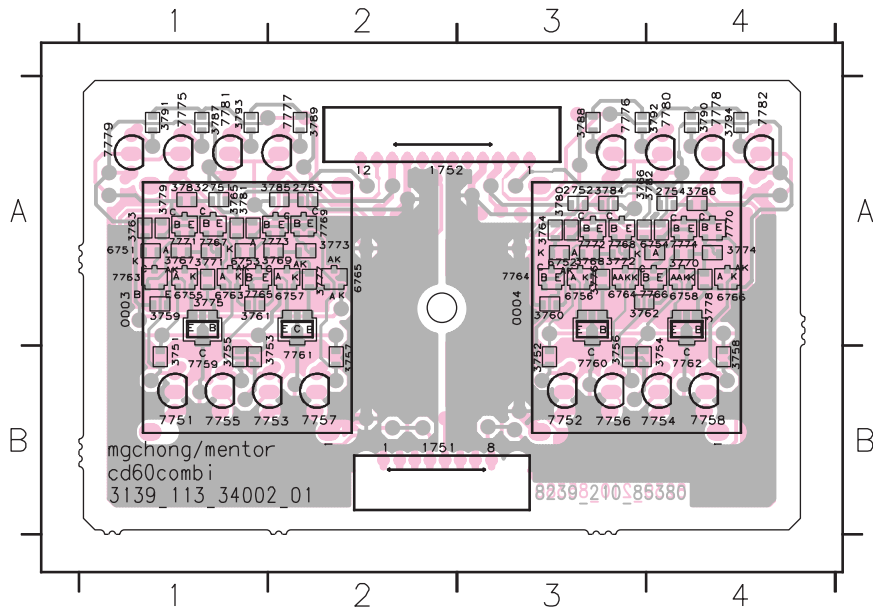
1600 D9	2600 E4	2604 A5	3601 A8	3606 E5	3612 C1	3616 C3	3620 E3	3626 E8	3637 D8	3650 C7	3654 C7	3658 C6	3662 C6	3666 C6	3670 B5	3690 E4	4603 F8	4607 F7	6601 A7	7600 D6	7604 B8
1601 E1	2601 D3	2605 A5	3602 A8	3607 E4	3613 C1	3617 C3	3621 E2	3627 E8	3638 D8	3651 C7	3655 C6	3659 C6	3663 C6	3667 C6	3671 B5	4600 F6	4604 E8	4608 E7	6602 A6	7601 B3	7605 B7
1602 A1	2602 D3	2606 E4	3603 D4	3609 E6	3614 C1	3618 C3	3622 E2	3628 D8	3639 D8	3652 B7	3656 C6	3660 C6	3664 C6	3668 C6	3672 A5	4601 F8	4605 F7	5600 E5	6603 E9	7602 C2	7606 E2
1603 C9	2603 F6	3600 B6	3604 D4	3611 C1	3615 C3	3619 C2	3625 E8	3635 D8	3649 C7	3653 B7	3657 C6	3661 C6	3665 C6	3669 C5	3689 D4	4602 F8	4606 F7	6600 B7	6604 D8	7603 E6	



Last Update: 23 Mar 99 (912.2)

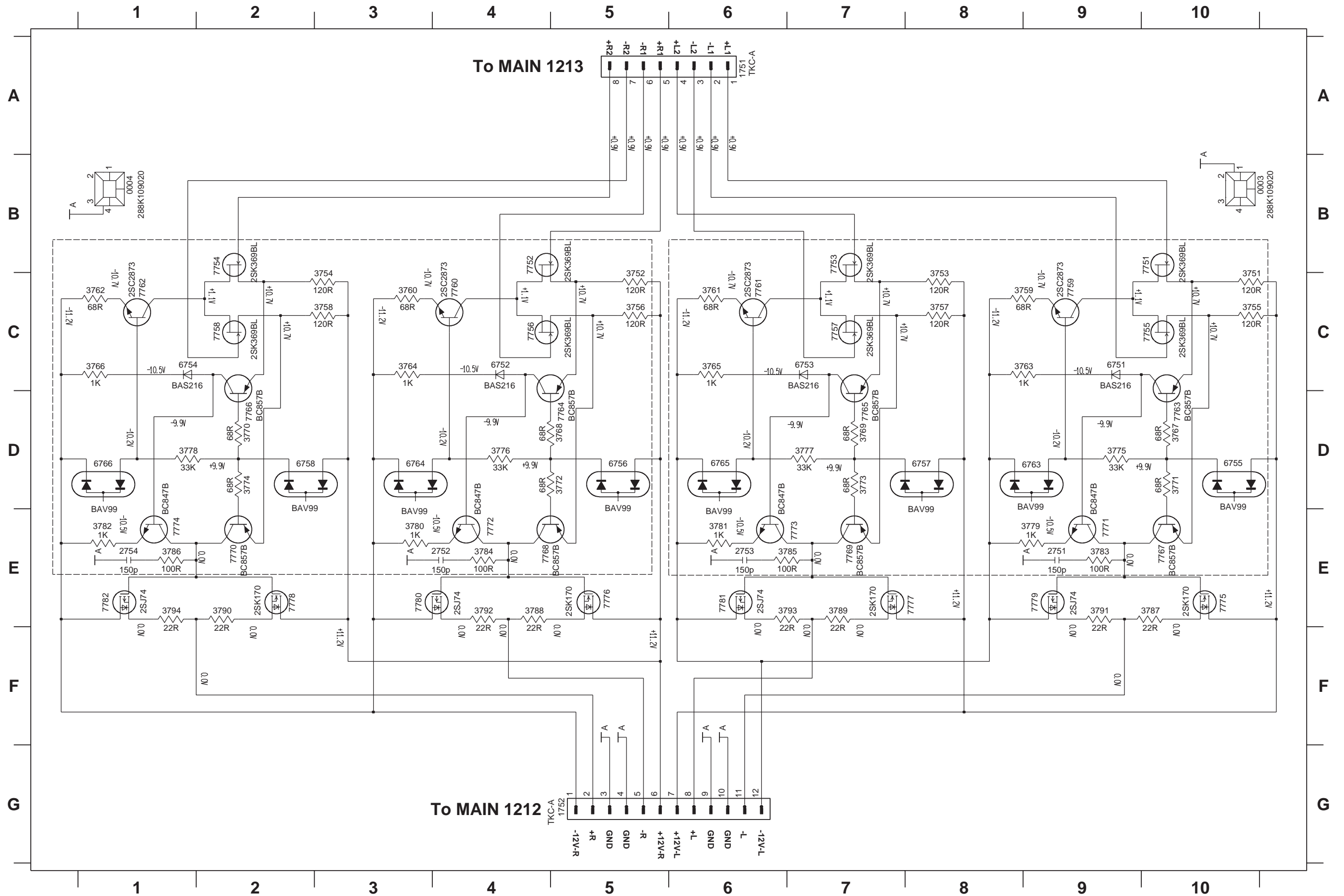
HDAM PCB COMPONENT SIDE VIEW

0003	A1	3767	A1	3779	A1	6763	A1	7775	B1	7771	A1
0004	A3	3768	A3	3780	A3	6764	A3	7776	B3	7772	A3
1751	A2	3769	A2	3781	A2	6765	A2	7777	B2	7773	A2
1752	A1	3770	A1	3782	A1	6766	A1	7778	B1	7774	A1
2751	A1	3771	A1	3783	A1	6767	A1	7779	B1	7775	A1
2752	A3	3772	A3	3784	A3	6768	A3	7780	B3	7776	A3
2753	A2	3773	A2	3785	A2	6769	A2	7781	B2	7777	A2
2754	A4	3774	A4	3786	A4	6770	A4	7782	B4	7778	A4
2755	A1	3775	A1	3787	A1	6771	A1	7783	B1	7779	A1
2756	A3	3776	A3	3788	A3	6772	A3	7784	B3	7780	A3
2757	A2	3777	A2	3789	A2	6773	A2	7785	B2	7781	A2
2758	A4	3778	A4	3790	A4	6774	A4	7786	B4	7782	A4

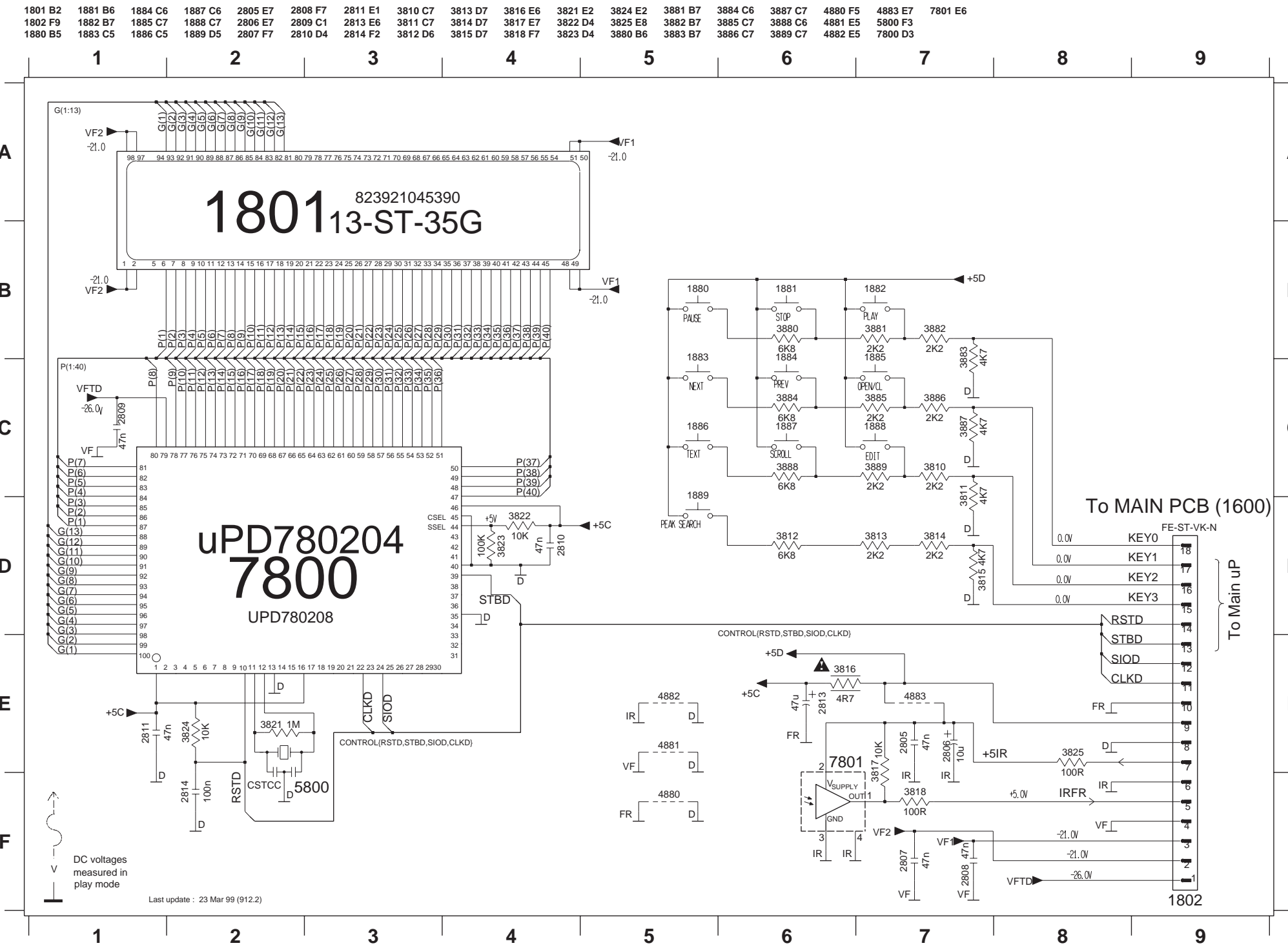


HDAM PCB

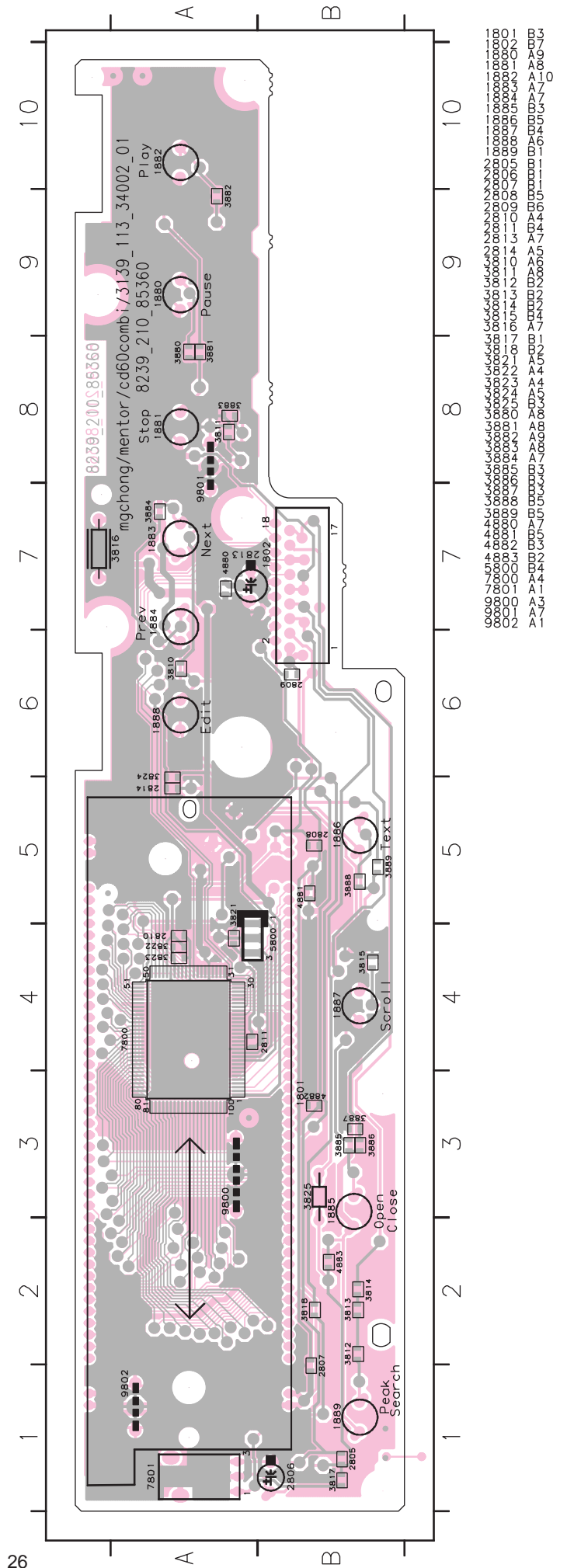
0003 B10	2751 E9	3751 C10	3755 C10	3759 C9	3763 C9	3767 D10	3771 D10	3775 D9	3779 E9	3783 E9	3787 E10	3791 E9	6751 C9	6755 D10	6763 D9	7751 B10	7755 C10	7759 C9	7763 D10	7767 E10	7771 E9	7775 E10	7779 E9
0004 B1	2752 E4	3752 C5	3756 C5	3760 C3	3764 C3	3768 D5	3772 D5	3776 D4	3780 E3	3784 E4	3788 E4	3792 E4	6752 C4	6756 D5	6764 D3	7752 B4	7756 C4	7760 C4	7764 D5	7768 E4	7772 E4	7776 E5	7780 E3
1751 A6	2753 E6	3753 C8	3757 C8	3761 C6	3765 C6	3769 D7	3773 D7	3777 D7	3781 E6	3785 E7	3789 E7	3793 E7	6753 C7	6757 D8	6765 D6	7753 B7	7757 C7	7761 C6	7765 D7	7769 E7	7773 E7	7777 E8	7781 E6
1752 G5	2754 E1	3754 C3	3758 C3	3762 C1	3766 C1	3770 D2	3774 D2	3778 D1	3782 E1	3786 E1	3790 E2	3794 E1	6754 C1	6758 D2	6766 D1	7754 B2	7758 C2	7762 C1	7766 D2	7770 E2	7774 E1	7778 E2	7782 E1



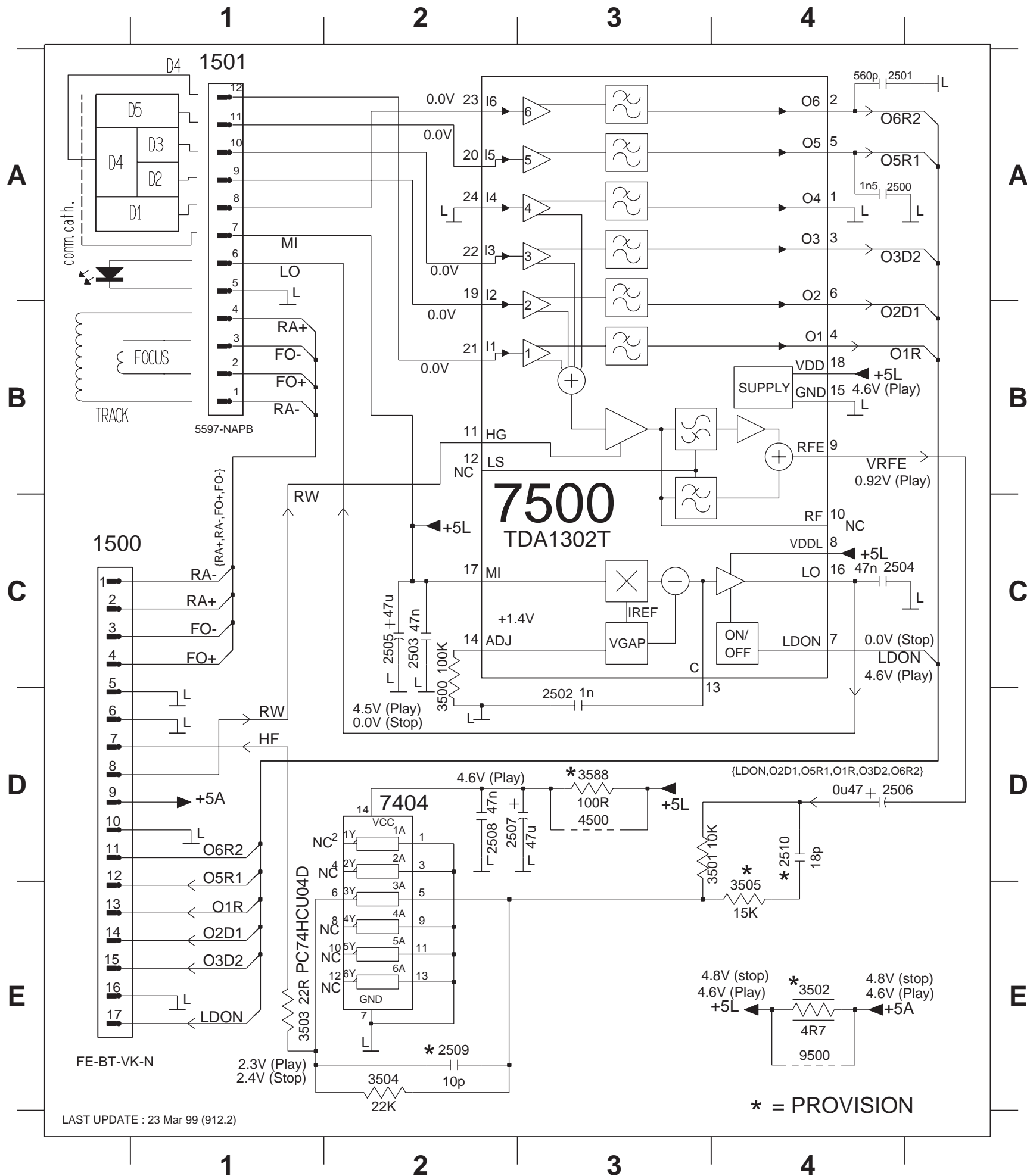
FRONT PCB



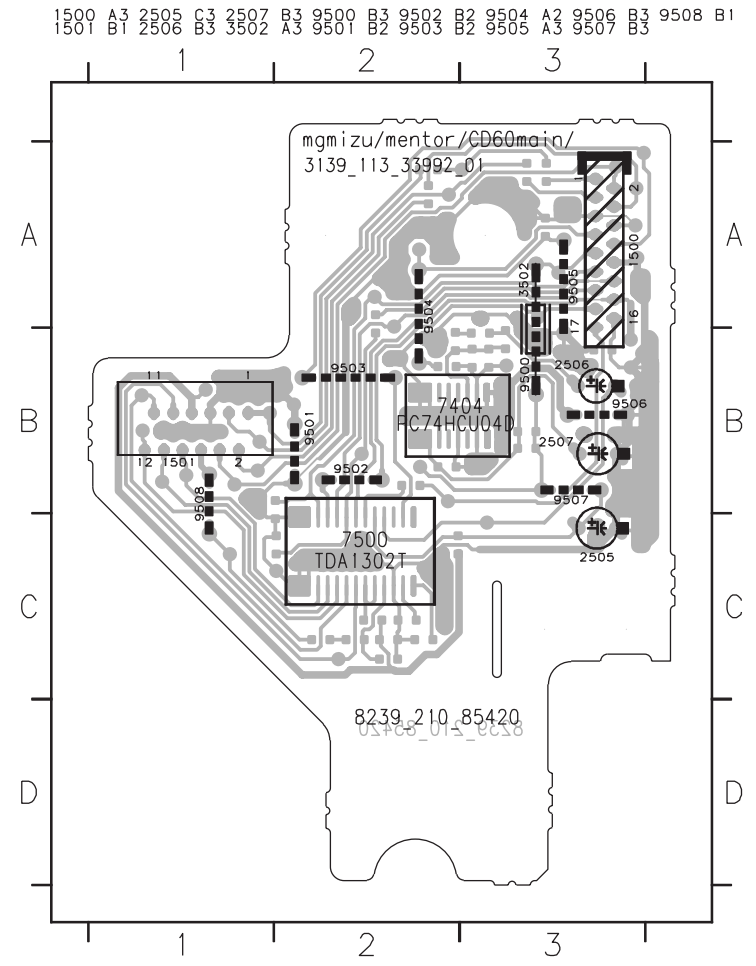
FRONT PCB COMPONENT SIDE VIEW



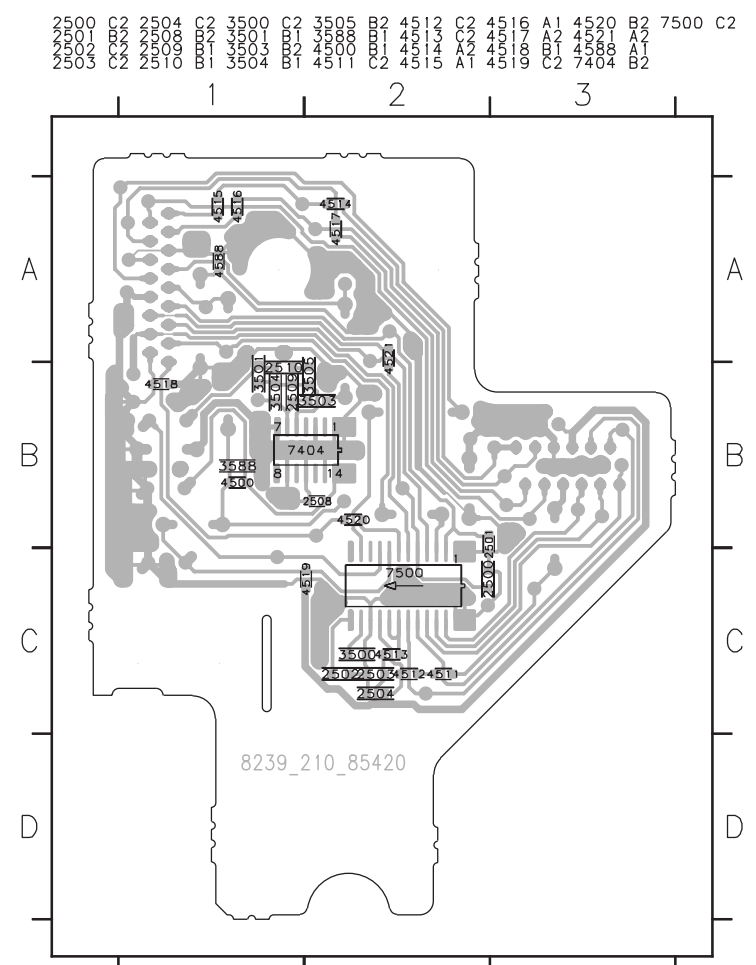
HF AMP PCB



HF AMP PCB COMPONENT SIDE VIEW



HF AMP PCB COPPER SIDE VIEW



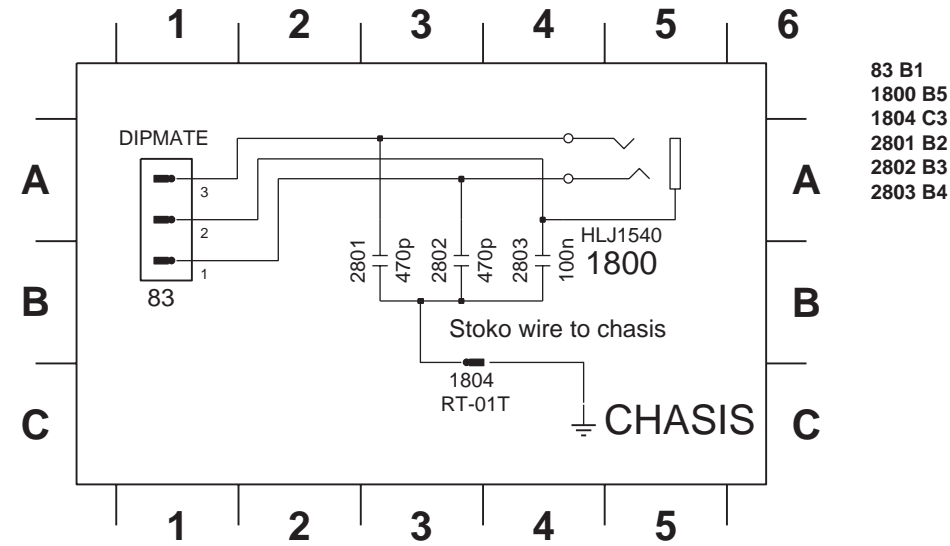
- 1500 C1
- 1501 A1
- 2500 A4
- 2501 A4
- 2502 D3
- 2503 C2
- 2504 C4
- 2505 C2
- 2506 D4
- 2507 D2
- 2508 D2
- 2509 E2
- 2510 D4
- 3500 D2
- 3501 D3
- 3502 E4
- 3503 E1
- 3504 E2
- 3505 E4
- 3588 D3
- 4500 D3
- 7404 D2
- 7500 C2
- 9500 E4

- 1500 A3 2505 B3 3502 B3 9500 B2 9503 B2 9504 A3 9506 B3 9508 B1
- 1501 B1 2506 B3 3502 B3 9501 B2 9503 B2 9504 A3 9507 B3

LAST UPDATE : 23 Mar 99 (912.2)

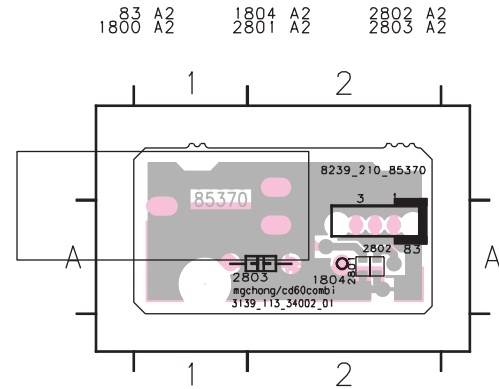
* = PROVISION

HEADPHONE JACK PCB



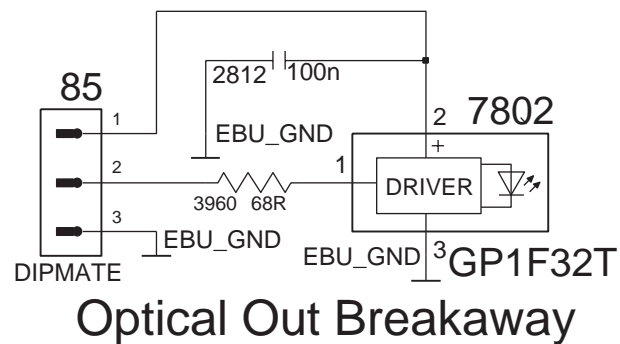
83 B1
1800 B5
1804 C3
2801 B2
2802 B3
2803 B4

HEADPHONE JACK PCB COMPONENT SIDE VIEW

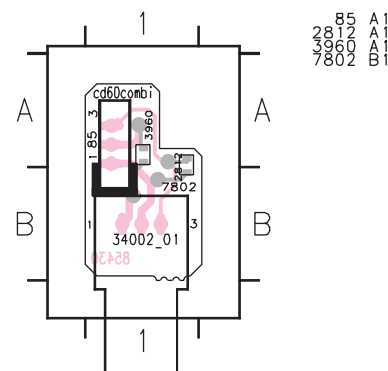


OPTICAL OUT PCB

1805 = CWAS 03EH/OP 100mm



OPTICAL OUT PCB COMPONENT SIDE VIEW

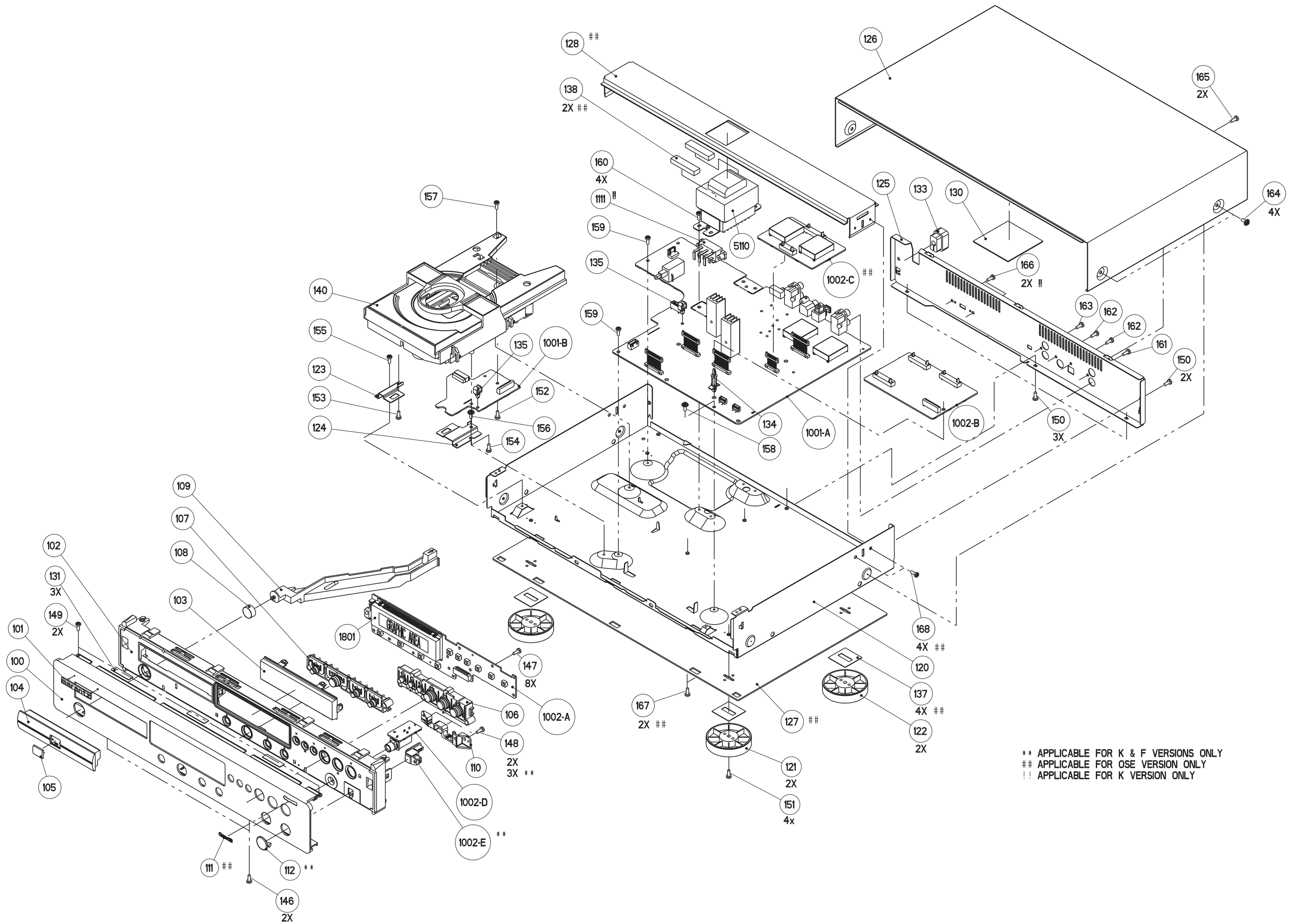


85 A1
2812 A1
3960 A1
68R B1
7802 B1

9. EXPLODED VIEW AND PARTS LIST

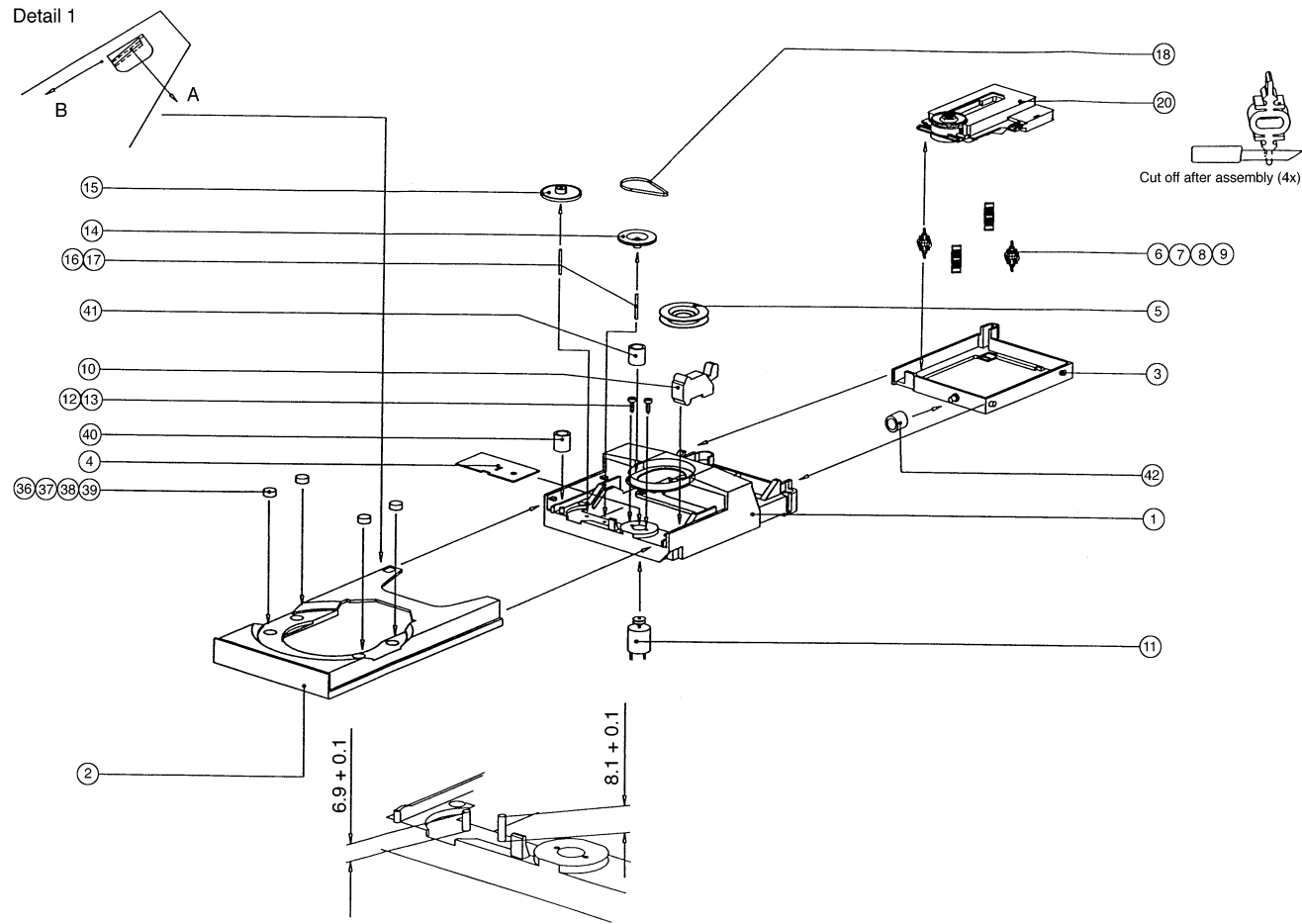
(VERS.:VERSION, U:U.S.A., F:JAPAN, K:FAR EAST, **:EUROPE)

POS. NO	VERS. COLOR	PART NO. (FOR PCS)	DESCRIPTION
100	F/N,F/T,F/U BLK	4822 459 05335	AL FRONT CD6000 OSE BL
100	F/N GLD	4822 459 05336	AL FRONT CD6000 OSE GL
100	F/F BLK	3139 117 88420	AL FRONT CD6000 OSE B W/OPT
100	F/F GLD	3139 117 88460	AL FRONT CD6000 OSE N W/OPT
100	/N/T BLK	4822 459 05324	AL FRONT CD6000 BL
100	/N GLD	4822 459 05328	AL FRONT CD6000 GL
100	/K BLK	3139 117 88410	AL FRONT CD6000 BL W/OPT
100	/K GLD	3139 117 88450	AL FRONT CD6000 GL W/OPT
101		4822 454 11825	BADGE MARANTZ
102	BLK	4822 459 05325	CABINET FRONT BLK
102	GLD	4822 459 05334	CABINET FRONT GL
103		4822 450 10684	WINDOW DISPLAY
104	BLK	4822 442 01888	COVER TRAY BLK
104	GLD	4822 442 01926	COVER TRAY GLD
105	BLK	3139 117 89170	BADGE DISC BLK
105	GLD	3139 117 87910	BADGE DISC GLD
106	BLK	4822 410 12497	BUTTON SET PLAY BLK
106	GLD	4822 410 12549	BUTTON SET PLAY GLD
107	BLK	4822 410 12498	BUTTON SET OP/CL BLK
107	GLD	4822 410 12551	BUTTON SET OP/CL GLD
108	BLK	4822 410 12499	BUTTON POWER BLK
108	GLD	4822 410 12552	BUTTON POWER GLD
109		4822 402 11357	LEVER POWER
111	F/N,F/T,F/U,F/F	4822 454 13476	BADGE OSE
112	F/F,/K BLK	3139 114 66110	CAP OPTICAL FRONT BLK
112	F/F,/K GLD	3139 114 67440	CAP OPTICAL FRONT GLD
121		4822 462 42129	FOOT GLD FRONT
122	/N/T,F/N,F/T,F/U	4822 462 42131	FOOT GLD REAR
133		4822 532 60948	BUSH, PLASTIC
134		4822 402 10386	BRACKET, PLASTIC
135		4822 401 11808	WIRE CLAMPER
140		4822 691 10803	CD LOADER 1210/41
356		4822 219 10748	REMOTE CONTROL RC07111/02
387	/N/T,F/N,F/T	4822 736 17083	USER GUIDE for /N, /T
387	F/U	4822 736 17119	USER GUIDE for /U
387	F/F	3139 116 19000	USER GUIDE for /F
387	/K	3139 119 19010	USER GUIDE for /K
1003	/N,F/N	4822 321 10809	MAINS CORD for /N
1003	/T,F/T	4822 321 11509	MAINS CORD for /T
1003	/K	4822 321 11139	MAINS CORD for /K
1003	F/U	4822 321 11464	MAINS CORD for /U
1003	F/F	4822 321 11349	MAINS CORD for /F



** APPLICABLE FOR K & F VERSIONS ONLY
 ## APPLICABLE FOR OSE VERSION ONLY
 !! APPLICABLE FOR K VERSION ONLY

CD LOADER EXPLODED VIEW



(VERS.:VERSION, U:U.S.A., F:JAPAN, K:FAR EAST, **:EUROPE)

POS. NO	VERS. COLOR	PART NO. (FOR PCS)	DESCRIPTION
2		4822 444 50679	TRAY, PLASTIC
3		4822 464 50895	CHASSIS, PLASTIC
4		4822 444 60816	COVER, PLASTIC
5		4822 402 61412	BRACKET, STEEL
6		4822 325 50215	GROMMET, RUBBER
7		4822 325 50215	GROMMET, RUBBER
8		4822 325 50215	GROMMET, RUBBER
9		4822 325 50215	GROMMET, RUBBER
10		4822 276 13979	SWITCH, OTHERS
11		4822 361 21492	MOTOR DC <=37.5W
14		4822 528 11268	PULLEY, PLASTIC
15		4822 528 81464	TOOTHED WHEEL
16		4822 535 93319	SPINDLE
17		4822 535 93319	SPINDLE
18		4822 358 31168	BELT, DRIVING
20		4822 691 10615	CD MECHA VAM1201
36		4822 325 80511	STOPPER, PLASTIC
37		4822 325 80511	STOPPER, PLASTIC
38		4822 325 80511	STOPPER, PLASTIC
39		4822 325 80511	STOPPER, PLASTIC
40		4822 325 60379	GROMMET, RUBBER
41		4822 325 60379	GROMMET, RUBBER
42		4822 325 60379	GROMMET, RUBBER

10. ELECTRICAL PARTS LIST

(VERS.:VERSION, U:U.S.A., F:JAPAN, K:FAR EAST, **:EUROPE)

POS. NO	VERS. COLOR	PART NO. (FOR PCS)	DESCRIPTION
1112		4822 265 20723	AUDIO AMPLIFIER CIRCUIT BOARD
▲ 1113		4822 276 14113	CONN.B2P3-VH
▲ 1114		4822 071 56301	POWER SWITCH 1P 4A/32A
▲ 1115		4822 071 56301	FUSE 19372(630MA)
1211		4822 265 11626	FUSE 19372(630MA)
1212	F/N,F/T,F/U,F/F	4822 265 11627	CINCH SOCKET AUDIO OUT
1213	F/N,F/T,F/U,F/F	4822 265 11634	CONN. 12P REV. ENTRY
1300		4822 265 11627	CONN. 8P
1303		4822 265 11627	CONN. 12P REV. ENTRY
1312		4822 265 11627	CONN. 12P REV. ENTRY
1314		4822 267 41009	MTZJ2.0B
1315		4822 130 10845	GP1F32T OPT
1402		4822 277 11883	SWITCH SLIDE 2P 2POS
1403		4822 267 10871	CONN.17POL. FEM.
1907		4822 265 11627	CONN. 12P REV. ENTRY
1909		4822 320 12726	FLEX FOIL 18P - 120MM
		4822 320 12727	FLEX FOIL 17P - 120MM
2111		4822 126 12785	47NF Y5VTUB 50V
2112		4822 126 12785	47NF Y5VTUB 50V
2113	/N/T/K	4822 124 12429	470μF 20% 35V
2114	/N/T/K	4822 124 12429	470μF 20% 35V
2115		4822 124 20695	470μF 50% 16V
2116		4822 124 20695	470μF 50% 16V
2117		4822 126 12785	47NF Y5VTUB 50V
2118		4822 126 12785	47NF Y5VTUB 50V
2119		4822 124 41458	4700μF 20% 16V
2120		4822 124 40433	47μF 20% 25V
2121		4822 124 40433	47μF 20% 25V
2122		4822 124 12431	3300μF 20% 6.3V
2123	F/U	4822 124 81144	1000μF 16V
2124		4822 124 21913	1μF 20% 63V
2125		5322 124 21731	10μF 20% 50V
2126	/N/T/K,F/N,F/T,F/U,F/F	4822 124 12432	100μF 20% 50V
2127		4822 124 12433	47μF 20% 35V
▲ 2128		4822 126 14084	4.7NF 20% 250V
2129		4822 124 12432	100μF 20% 50V
2131	F/N,F/T,F/U,F/F	4822 124 12441	1000μF 20% 35V
2132	F/N,F/T,F/U,F/F	4822 124 12441	1000μF 20% 35V
2133	F/U		220μF
2211		4822 121 10524	390pF 2.5% 100V
2212		4822 121 10524	390pF 2.5% 100V
2213		4822 121 10872	100pF 5% 100V
2214		4822 121 10872	100pF 5% 100V
2215		4822 122 33849	150pF 10%Y5P 50V
2216		4822 122 33849	150pF 10%Y5P 50V
2217		4822 121 10872	100pF 5% 100V
2218		4822 121 10872	100pF 5% 100V
2219		4822 124 12434	220μF 20% 16V
2220		4822 124 12434	220μF 20% 16V
2221		4822 124 12434	220μF 20% 16V
2222		4822 124 12434	220μF 20% 16V
2223		4822 124 20695	470μF 50% 16V
2224		4822 124 20695	470μF 50% 16V
2225		4822 124 20695	470μF 50% 16V
2226		4822 124 20695	470μF 50% 16V
2227		4822 122 33195	100pF 10% 50V
2228		4822 122 33195	100pF 10% 50V
2229		4822 124 40207	100μF 20% 25V
2230		4822 124 40207	100μF 20% 25V
2311		4822 124 20695	470μF 50% 16V
2312		4822 124 20695	470μF 50% 16V
2313		4822 126 13751	47NF 10% X7R 63V
2314		4822 126 13751	47NF 10% X7R 63V

(VERS.:VERSION, U:U.S.A., F:JAPAN, K:FAR EAST, **:EUROPE)

POS. NO	VERS. COLOR	PART NO. (FOR PCS)	DESCRIPTION
2315		4822 126 13751	47NF 10% X7R 63V
2316		4822 124 20695	470μF 50% 16V
2317		4822 124 20695	470μF 50% 16V
2318		4822 126 13751	47NF 10% X7R 63V
2319		4822 126 12785	47NF Y5VTUB 50V
2320		4822 126 12785	47NF Y5VTUB 50V
2321		4822 126 12785	47NF Y5VTUB 50V
2322		4822 126 12785	47NF Y5VTUB 50V
2323		4822 124 12434	220μF 20% 16V
2324		4822 124 12434	220μF 20% 16V
2325		4822 126 13751	47NF 10% X7R 63V
2326		4822 126 13751	47NF 10% X7R 63V
2327		4822 124 12022	220μF 20% 25V
2328		4822 126 12785	47NF Y5VTUB 50V
2329		4822 122 33847	10pF 5% NPO 50V
2330		4822 122 33847	10pF 5% NPO 50V
2331		4822 126 14585	100NF 10% X7R 0805 50V
2341		5322 124 21731	10μF 20% 50V
2342		4822 122 33848	47pF 5% SL 50V
2343		4822 126 12882	100NF +80-20% 50V
2344		4822 126 12882	100NF +80-20% 50V
2345		4822 126 12882	100NF +80-20% 50V
2346		4822 126 12882	100NF +80-20% 50V
2347		5322 124 21731	10μF 20% 50V
2348		5322 122 32531	100pF 5% NPO 50V
2400		4822 124 40433	47UF 20% 25V
2401		4822 124 40433	47UF 20% 25V
2402		4822 126 13751	47NF 10% X7R 63V
2403		4822 126 13751	47NF 10% X7R 63V
2404		4822 126 13751	47NF 10% X7R 63V
2405		4822 126 13751	47NF 10% X7R 63V
2406		4822 126 13751	47NF 10% X7R 63V
2407		4822 126 13751	47NF 10% X7R 63V
2408		5322 126 10511	1NF 5% NPO 50V
2409		4822 126 13838	100NF Y5V 0805 50V P80M20
2410		5322 122 32654	22NF 10% X7R 63V
2411		4822 122 10466	220pF 10% 50V
2412		4822 122 10466	220pF 10% 50V
2413		4822 122 10466	220pF 10% 50V
2414		4822 122 10466	220pF 10% 50V
2415		4822 122 10466	220pF 10% 50V
2416		4822 122 10466	220pF 10% 50V
2417		4822 126 13692	47pF 1% NPO 63V
2420		5322 122 32531	100pF 5% NPO 50V
2421	/K,F/F	5322 122 32531	100pF 5% NPO 50V
2422	/K,F/F	5322 122 32531	100pF 5% NPO 50V
2423	/K,F/F	4822 126 13838	100NF Y5V 0805 50V P80M20
2424	/K,F/F	4822 124 40433	47μF 20% 25V
2425		4822 126 14585	100NF 10% X7R 0805 50V
2426		4822 126 14585	100NF 10% X7R 0805 50V
2427		4822 126 14585	100NF 10% X7R 0805 50V
2428		4822 126 13751	47NF 10% X7R 63V
2429		4822 126 14585	100NF 10% X7R 0805 50V
2430		4822 126 14585	100NF 10% X7R 0805 50V
2431		4822 126 14585	100NF 10% X7R 0805 50V
2432		5322 126 10223	4.7NF 10%X7R 63V
2433		5322 122 32268	470pF 10% 50V
2434		4822 126 14585	100NF 10% X7R 0805 50V
2435		4822 126 14585	100NF 10% X7R 0805 50V
2436		5322 126 10223	4.7NF 10%X7R 63V
2437		5322 122 32268	470pF 10% 50V
2438		4822 126 13751	47NF 10% X7R 63V
2439		4822 126 13751	47NF 10% X7R 63V
2440		4822 124 40433	47μF 20% 25V
2441		5322 122 32654	22NF 10% X7R 63V

(VERS.:VERSION, U:U.S.A., F:JAPAN, K:FAR EAST, **:EUROPE)

POS. NO	VERS. COLOR	PART NO. (FOR PCS)	DESCRIPTION
2442		4822 124 40433	47 μ F 20% 25V
2443		4822 126 13751	47NF 10% X7R 63V
2444		4822 126 13692	47pF 1% NPO 63V
2445		4822 126 14585	100NF 10% X7R 0805 50V
2446		4822 126 14585	100NF 10% X7R 0805 50V
2499		4822 126 13751	47NF 10% X7R 63V
2711		4822 124 20695	470 μ F 50% 16V
2712		4822 124 20695	470 μ F 50% 16V
2713		4822 124 20695	470 μ F 50% 16V
2714		4822 124 20695	470 μ F 50% 16V
2715		4822 121 10873	120pF 5% 100V
2716		4822 121 10873	120pF 5% 100V
2717		4822 121 10873	120pF 5% 100V
2718		4822 121 10873	120pF 5% 100V
2719		4822 121 10873	120pF 5% 100V
2720		4822 121 10873	120pF 5% 100V
2721		4822 121 10873	120pF 5% 100V
2722		4822 121 10873	120pF 5% 100V
2723		4822 121 10872	100pF 5% 100V
2724		4822 121 10872	100pF 5% 100V
2725		4822 121 10872	100pF 5% 100V
2726		4822 121 10872	100pF 5% 100V
3111		4822 051 10102	1K00 2% 0.25W
3112		4822 051 20223	22K00 5% 0.1W
3113		4822 051 20105	1M00 5% 0.1W
▲ 3114		4822 052 10478	4R70 5% 0.33W
3115		4822 117 10834	47K 1% 0.1W
3116		4822 117 10833	10K 1% 0.1W
3117		4822 051 20332	3K30 5% 0.1W
3118		4822 051 20479	47R00 5% 0.1W
3119		4822 051 20479	47R00 5% 0.1W
3120		4822 117 10833	10K 1% 0.1W
3121		4822 117 10834	47K 1% 0.1W
3122		4822 117 10834	47K 1% 0.1W
3123		4822 117 10833	10K 1% 0.1W
3124		4822 116 52257	22K 5% 0.5W
3125		4822 051 20223	22K00 5% 0.1W
3211		4822 117 10833	10K 1% 0.1W
3212		4822 117 10833	10K 1% 0.1W
3213		4822 117 10833	10K 1% 0.1W
3214		4822 117 10833	10K 1% 0.1W
3215		4822 117 10965	18K 1% 0.1W
3216		4822 117 10965	18K 1% 0.1W
3217		4822 117 10833	10K 1% 0.1W
3218		4822 117 10833	10K 1% 0.1W
3219		4822 117 10833	10K 1% 0.1W
3220		4822 117 10833	10K 1% 0.1W
3221		4822 117 10965	18K 1% 0.1W
3222		4822 117 10965	18K 1% 0.1W
3223		4822 051 20121	120R00 5% 0.1W
3224		4822 051 20121	120R00 5% 0.1W
3225		4822 051 20121	120R00 5% 0.1W
3226		4822 051 20121	120R00 5% 0.1W
3227		4822 117 12521	68R 1% 0.1W
3228		4822 117 12521	68R 1% 0.1W
3229		4822 051 10102	1K00 2% 0.25W
3230		4822 051 10102	1K00 2% 0.25W
3231		4822 117 12521	68R 1% 0.1W
3232		4822 117 12521	68R 1% 0.1W
3233		4822 117 12521	68R 1% 0.1W
3234		4822 117 12521	68R 1% 0.1W
3235		4822 051 20333	33K00 5% 0.1W
3236		4822 051 20333	33K00 5% 0.1W
3237		4822 051 10102	1K00 2% 0.25W

(VERS.:VERSION, U:U.S.A., F:JAPAN, K:FAR EAST, **:EUROPE)

POS. NO	VERS. COLOR	PART NO. (FOR PCS)	DESCRIPTION
3238		4822 051 10102	1K00 2% 0.25W
3239		4822 051 20101	100R00 5% 0.1W
3240		4822 051 20101	100R00 5% 0.1W
3241		4822 051 20229	22R00 5% 0.1W
3242		4822 051 20229	22R00 5% 0.1W
3243		4822 051 20229	22R00 5% 0.1W
3244		4822 051 20229	22R00 5% 0.1W
3245		4822 051 20229	22R00 5% 0.1W
3246		4822 051 20229	22R00 5% 0.1W
3247		4822 117 10833	10K 1% 0.1W
3248		4822 117 10833	10K 1% 0.1W
▲ 3249		4822 053 10229	22R00 5% 1W
▲ 3250		4822 053 10229	22R00 5% 1W
▲ 3251		4822 053 10229	22R00 5% 1W
▲ 3252		4822 053 10229	22R00 5% 1W
3253		4822 051 20101	100R00 5% 0.1W
3254		4822 051 20101	100R00 5% 0.1W
3255		4822 051 20101	100R00 5% 0.1W
3256		4822 051 20101	100R00 5% 0.1W
3257		4822 051 20229	22R00 5% 0.1W
3258		4822 051 20229	22R00 5% 0.1W
3259		4822 117 10837	100K 1% 0.1W
3260		4822 117 10837	100K 1% 0.1W
3261		4822 117 11449	2K2 1% 0.1W
3262		4822 117 11449	2K2 1% 0.1W
3263		4822 117 11449	2K2 1% 0.1W
3264		4822 117 11449	2K2 1% 0.1W
3265		4822 117 11383	12K 1% 0.1W
3266		4822 117 11383	12K 1% 0.1W
3267		4822 116 83933	15K 1% 0.1W
3268		4822 116 83933	15K 1% 0.1W
3269		4822 117 12521	68R 1% 0.1W
3270		4822 117 12521	68R 1% 0.1W
3271		4822 117 12521	68R 1% 0.1W
3272		4822 117 12521	68R 1% 0.1W
3273		4822 051 20229	22R00 5% 0.1W
3274		4822 051 20229	22R00 5% 0.1W
3275		4822 117 11449	2K2 1% 0.1W
3276		4822 117 11449	2K2 1% 0.1W
3277		4822 117 11449	2K2 1% 0.1W
3278		4822 117 11449	2K2 1% 0.1W
3279		4822 051 20101	100R00 5% 0.1W
3280		4822 051 20101	100R00 5% 0.1W
3281		4822 117 10837	100K 1% 0.1W
3282		4822 117 10837	100K 1% 0.1W
▲ 3311		4822 052 10478	4R70 5% 0.33W
▲ 3312		4822 052 10478	4R70 5% 0.33W
▲ 3313		4822 052 10478	4R70 5% 0.33W
▲ 3314		4822 052 10478	4R70 5% 0.33W
3315		4822 117 10833	10K 1% 0.1W
3316		4822 117 10833	10K 1% 0.1W
3317		4822 117 10833	10K 1% 0.1W
3318		4822 117 10833	10K 1% 0.1W
3319		4822 117 10834	47K 1% 0.1W
3320		4822 117 10834	47K 1% 0.1W
3321		4822 117 10833	10K 1% 0.1W
3322		4822 117 10833	10K 1% 0.1W
3323		4822 117 10837	100K 1% 0.1W
3324		4822 117 10837	100K 1% 0.1W
3325		4822 051 20105	1M00 5% 0.1W
3326		4822 117 11503	220R 1% 0.1W
▲ 3327		4822 052 10478	4R70 5% 0.33W
3328		4822 051 20471	470R00 5% 0.1W
3330		4822 051 20101	100R00 5% 0.1W
3331		4822 051 20471	470R00 5% 0.1W

(VERS.:VERSION, U:U.S.A., F:JAPAN, K:FAR EAST, **:EUROPE)

(VERS.:VERSION, U:U.S.A., F:JAPAN, K:FAR EAST, **:EUROPE)

POS. NO	VERS. COLOR	PART NO. (FOR PCS)	DESCRIPTION	POS. NO	VERS. COLOR	PART NO. (FOR PCS)	DESCRIPTION
3332		4822 051 20471	470R00 5% 0.1W	3456		4822 117 11383	12K 1% 0.1W
3333		4822 051 20471	470R00 5% 0.1W	3457		4822 051 10102	1K00 2% 0.25W
3334		4822 051 20471	470R00 5% 0.1W	3458		4822 117 10833	10K 1% 0.1W
3335		4822 051 20471	470R00 5% 0.1W	3459		4822 050 11002	1K00 1% 0.4W
3336		4822 051 20471	470R00 5% 0.1W	3460		4822 117 11383	12K 1% 0.1W
3341	/K,F/F	4822 051 20472	4K70 5% 0.1W	3461		4822 051 20471	470R00 5% 0.1W
3342	/K,F/F	4822 051 20229	22R00 5% 0.1W	3462		4822 051 20229	22R00 5% 0.1W
3343		4822 051 20229	22R00 5% 0.1W	▲ 3711		4822 053 10229	22R00 5% 1W
3344		4822 117 10834	47K 1% 0.1W	▲ 3712		4822 053 10229	22R00 5% 1W
3345		4822 051 20223	22K00 5% 0.1W	▲ 3713		4822 053 10229	22R00 5% 1W
3346		4822 051 20223	22K00 5% 0.1W	▲ 3714		4822 053 10229	22R00 5% 1W
3347		4822 051 20472	4K70 5% 0.1W	3715		4822 117 11383	12K 1% 0.1W
3348		4822 117 10834	47K 1% 0.1W	3716		4822 117 11383	12K 1% 0.1W
3349		4822 051 20101	100R00 5% 0.1W	3717		4822 117 11383	12K 1% 0.1W
3350		4822 051 20229	22R00 5% 0.1W	3718		4822 117 11383	12K 1% 0.1W
3351		4822 117 11504	270R 1% 0.1W	3719		4822 117 11383	12K 1% 0.1W
3352		4822 051 20109	10R00 5% 0.1W	3720		4822 117 11383	12K 1% 0.1W
3353		4822 051 20561	560R00 5% 0.1W	3721		4822 117 11383	12K 1% 0.1W
3400		4822 050 12704	270K00 1% 0.4W	3722		4822 117 11383	12K 1% 0.1W
3401		4822 116 52257	22K 5% 0.5W	3723		4822 117 10833	10K 1% 0.1W
3402		4822 116 52257	22K 5% 0.5W	3724		4822 117 10833	10K 1% 0.1W
3403		4822 116 52257	22K 5% 0.5W	3725		4822 117 10833	10K 1% 0.1W
3404		4822 116 52257	22K 5% 0.5W	3726		4822 117 10833	10K 1% 0.1W
3405		4822 051 20471	470R00 5% 0.1W	3727		4822 117 10833	10K 1% 0.1W
3406		4822 051 20471	470R00 5% 0.1W	3728		4822 117 10833	10K 1% 0.1W
3407		4822 051 20471	470R00 5% 0.1W	3729		4822 117 10833	10K 1% 0.1W
3408		4822 051 20471	470R00 5% 0.1W	3730		4822 117 10833	10K 1% 0.1W
3409		4822 051 20223	22K00 5% 0.1W	3731		4822 117 10833	10K 1% 0.1W
3410		4822 050 11002	1K00 1% 0.4W	3732		4822 117 10833	10K 1% 0.1W
3411		4822 117 10837	100K 1% 0.1W	3733		4822 117 10833	10K 1% 0.1W
3412		4822 117 11383	12K 1% 0.1W	3734		4822 117 10833	10K 1% 0.1W
3413		4822 117 11383	12K 1% 0.1W	3735		4822 117 10833	10K 1% 0.1W
3414		4822 117 11383	12K 1% 0.1W	3736		4822 117 10833	10K 1% 0.1W
3415		4822 116 52238	12K 5% 0.5W	3737		4822 117 10833	10K 1% 0.1W
3416		4822 051 20471	470R00 5% 0.1W	3738		4822 117 10833	10K 1% 0.1W
3417		4822 051 20471	470R00 5% 0.1W				
3418		4822 051 20471	470R00 5% 0.1W	4111		4822 051 20008	0R00 JUMP. (0805)
3419		4822 051 20471	470R00 5% 0.1W	4112		4822 051 20008	0R00 JUMP. (0805)
3420		4822 051 20471	470R00 5% 0.1W	4211		4822 051 20008	0R00 JUMP. (0805)
3421		4822 051 20471	470R00 5% 0.1W	4212		4822 051 20008	0R00 JUMP. (0805)
3422		4822 051 20471	470R00 5% 0.1W	4213		4822 051 20008	0R00 JUMP. (0805)
3423		4822 051 20479	47R00 5% 0.1W	4214		4822 051 20008	0R00 JUMP. (0805)
3424		4822 117 10833	10K 1% 0.1W	4215		4822 051 20008	0R00 JUMP. (0805)
3425		4822 117 10833	10K 1% 0.1W	4216		4822 051 20008	0R00 JUMP. (0805)
3426		4822 117 10833	10K 1% 0.1W	4401		4822 051 20008	0R00 JUMP. (0805)
3427		4822 117 10833	10K 1% 0.1W	4402		4822 051 20008	0R00 JUMP. (0805)
3428		4822 117 10833	10K 1% 0.1W	4403		4822 051 20008	0R00 JUMP. (0805)
3429		4822 117 10833	10K 1% 0.1W	4404		4822 051 20008	0R00 JUMP. (0805)
3430		4822 051 20229	22R00 5% 0.1W	4405		4822 051 20008	0R00 JUMP. (0805)
3432		4822 051 10102	1K00 2% 0.25W	4406		4822 051 20008	0R00 JUMP. (0805)
3435		4822 117 10833	10K 1% 0.1W	4407		4822 051 20008	0R00 JUMP. (0805)
3436		4822 051 20122	1K20 5% 0.1W	4408		4822 051 20008	0R00 JUMP. (0805)
3437		4822 051 20229	22R00 5% 0.1W	4409		4822 051 20008	0R00 JUMP. (0805)
3440		4822 051 10102	1K00 2% 0.25W	4410		4822 051 20008	0R00 JUMP. (0805)
3441		4822 117 10833	10K 1% 0.1W	4411		4822 051 20008	0R00 JUMP. (0805)
3442		4822 051 20229	22R00 5% 0.1W	4412		4822 051 20008	0R00 JUMP. (0805)
3443		4822 051 20471	470R00 5% 0.1W	4413		4822 051 20008	0R00 JUMP. (0805)
3444		4822 051 10102	1K00 2% 0.25W	4414		4822 051 20008	0R00 JUMP. (0805)
3445		4822 051 10102	1K00 2% 0.25W	4415		4822 051 20008	0R00 JUMP. (0805)
▲ 3446	/K,F/F	4822 052 10478	4R70 5% 0.33W	4416		4822 051 20008	0R00 JUMP. (0805)
3449	/K,F/F	4822 051 20101	100R00 5% 0.1W	4417		4822 051 20008	0R00 JUMP. (0805)
3450	/K,F/F	4822 051 20101	100R00 5% 0.1W	4418		4822 051 20008	0R00 JUMP. (0805)
▲ 3451		4822 052 10478	4R70 5% 0.33W	4419		4822 051 20008	0R00 JUMP. (0805)
▲ 3452		4822 052 10478	4R70 5% 0.33W	4420		4822 051 20008	0R00 JUMP. (0805)
3455		4822 116 52257	22K 5% 0.5W	4421		4822 051 20008	0R00 JUMP. (0805)

(VERS.:VERSION, U:U.S.A., F:JAPAN, K:FAR EAST, **:EUROPE)

POS. NO	VERS. COLOR	PART NO. (FOR PCS)	DESCRIPTION
4422		4822 051 20008	OR00 JUMP. (0805)
4423		4822 051 20008	OR00 JUMP. (0805)
4424		4822 051 20008	OR00 JUMP. (0805)
4425		4822 051 20008	OR00 JUMP. (0805)
4426		4822 051 20008	OR00 JUMP. (0805)
4427		4822 051 20008	OR00 JUMP. (0805)
4428		4822 051 20008	OR00 JUMP. (0805)
4429		4822 051 20008	OR00 JUMP. (0805)
4430		4822 051 20008	OR00 JUMP. (0805)
4432		4822 051 20008	OR00 JUMP. (0805)
4433		4822 051 20008	OR00 JUMP. (0805)
4434		4822 051 20008	OR00 JUMP. (0805)
4435		4822 051 20008	OR00 JUMP. (0805)
4511		4822 051 20008	OR00 JUMP. (0805)
4512		4822 051 20008	OR00 JUMP. (0805)
4513		4822 051 20008	OR00 JUMP. (0805)
4514		4822 051 20008	OR00 JUMP. (0805)
4515		4822 051 20008	OR00 JUMP. (0805)
4516		4822 051 20008	OR00 JUMP. (0805)
4517		4822 051 20008	OR00 JUMP. (0805)
4518		4822 051 20008	OR00 JUMP. (0805)
4519		4822 051 20008	OR00 JUMP. (0805)
4520		4822 051 20008	OR00 JUMP. (0805)
4521		4822 051 20008	OR00 JUMP. (0805)
4522		4822 051 20008	OR00 JUMP. (0805)
4523		4822 051 20008	OR00 JUMP. (0805)
4524		4822 051 20008	OR00 JUMP. (0805)
4525		4822 051 20008	OR00 JUMP. (0805)
4588		4822 051 20008	OR00 JUMP. (0805)
▲ 5110	F/N,F/T	4822 146 11187	MAINS TRANSF. 230V
▲ 5110	F/U	4822 146 11185	MAINS TRANSF. 120V
▲ 5110	F/F		MAINS TRANSF. 100V
▲ 5110	/N/T	4822 146 11178	MAINS TRANSF. 230V
▲ 5110	/K		MAINS TRANSF. 110V/220V
5310		4822 242 11053	16.9344MHZ
5311		4822 157 70601	100UH (920927085A)
5312		4822 526 10704	BEAD. FERRITE 100MHZ
5313	/K,F/F	4822 526 10704	BEAD. FERRITE 100MHZ
5314		4822 526 10704	BEAD. FERRITE 100MHZ
5401		4822 526 10704	BEAD. FERRITE 100MHZ
5402		4822 526 10704	BEAD. FERRITE 100MHZ
5403		4822 526 10704	BEAD. FERRITE 100MHZ
▲ 6111		4822 130 31878	1N4003G
▲ 6112		4822 130 31878	1N4003G
▲ 6113		4822 130 31878	1N4003G
▲ 6114		4822 130 31878	1N4003G
▲ 6115		4822 130 31878	1N4003G
▲ 6116		4822 130 31878	1N4003G
▲ 6117		4822 130 31878	1N4003G
▲ 6118		4822 130 31878	1N4003G
▲ 6119		4822 130 31878	1N4003G
▲ 6120		4822 130 31878	1N4003G
▲ 6123	/N/T,K,F/N,F/T,F/U,F/F	4822 130 31878	1N4003G
▲ 6124	F/U	4822 130 31878	1N4003G
▲ 6125		4822 130 31878	1N4003G
6121		4822 130 34174	BZX79-B4V7
6122		4822 130 30621	1N4148
6126		4822 130 34174	BZX79-B4V7
6127		4822 130 34174	BZX79-B4V7
6128		4822 130 30621	1N4148
6211		4822 130 30621	1N4148
6212		4822 130 30621	1N4148
6213		4822 130 30621	1N4148

(VERS.:VERSION, U:U.S.A., F:JAPAN, K:FAR EAST, **:EUROPE)

POS. NO	VERS. COLOR	PART NO. (FOR PCS)	DESCRIPTION
6214		4822 130 30621	1N4148
6215		4822 130 30621	1N4148
6216		4822 130 30621	1N4148
6217		4822 130 30621	1N4148
6218		4822 130 30621	1N4148
6219		4822 130 30621	1N4148
6220		4822 130 30621	1N4148
6311		4822 130 30621	1N4148
6312		4822 130 30621	1N4148
6313		4822 130 30621	1N4148
6314		4822 130 30621	1N4148
6315		4822 130 30621	1N4148
▲ 7111		4822 209 33575	L7812CP
▲ 7112		4822 209 73492	L7912CV
▲ 7113		4822 209 80817	L7805CV
▲ 7114		4822 209 80817	L7805CV
▲ 7115		4822 209 80817	L7805CV
7116		4822 130 40959	BC547B
7117		4822 130 40959	BC547B
7118		4822 130 40959	BC547B
▲ 7119		4822 209 17525	L7918CP
7120		4822 130 40959	BC547B
7121		4822 130 44568	BC557B
7122		4822 130 44568	BC557B
7123		4822 130 40959	BC547B
7124		4822 130 40959	BC547B
7211		4822 130 42839	2SK369BL
7212		4822 130 42839	2SK369BL
7213		4822 130 42839	2SK369BL
7214		4822 130 42839	2SK369BL
7215		4822 130 43233	2SC2240GR
7216		4822 130 43233	2SC2240GR
7217		4822 130 42949	2SA970GR
7218		4822 130 42949	2SA970GR
7219		4822 130 42949	2SA970GR
7220		4822 130 42949	2SA970GR
7221		4822 130 43233	2SC2240GR
7222		4822 130 43233	2SC2240GR
7223		5322 130 41844	2SK170BL
7224		5322 130 41844	2SK170BL
7225		4822 130 11658	2SJ74BL
7226		4822 130 11658	2SJ74BL
7227		4822 130 43818	2SC2878
7228		4822 130 43818	2SC2878
7229		4822 130 43818	2SC2878
7230		4822 130 43818	2SC2878
7231		4822 130 43818	2SC2878
7232		4822 130 43818	2SC2878
7233		4822 130 43818	2SC2878
7234		4822 130 43818	2SC2878
7235		4822 209 82362	NJM4556D
7311		4822 209 32762	SM5872BS
7312		4822 209 32762	SM5872BS
7313		4822 130 44568	BC557B
7314		4822 130 44568	BC557B
7315		4822 209 17526	TC160G11AU-1305
7316		4822 130 44568	BC557B
7317		4822 130 40959	BC547B
7318	/K,F/F	4822 130 44568	BC557B
7400	/K,F/F		74HC00
7401		4822 209 32852	TDA7073A/N2
7402		4822 209 32852	TDA7073A/N2
7403		4822 209 32852	TDA7073A/N2
7405		4822 209 90341	SAA7372GP/M1

(VERS.:VERSION, U:U.S.A., F:JAPAN, K:FAR EAST, **:EUROPE)

(VERS.:VERSION, U:U.S.A., F:JAPAN, K:FAR EAST, **:EUROPE)

POS. NO	VERS. COLOR	PART NO. (FOR PCS)	DESCRIPTION	POS. NO	VERS. COLOR	PART NO. (FOR PCS)	DESCRIPTION
7711	/N/T/K	4822 209 31153	NJM2114D	3668		4822 051 20101	100R00 5% 0.1W
7712	/N/T/K	4822 209 31153	NJM2114D	3669		4822 051 20101	100R00 5% 0.1W
			CONTROL CIRCUIT BOARD	3670		4822 051 20101	100R00 5% 0.1W
1600		4822 265 11185	18FE-BT-VK-N TOP ENTRY TYPE	3671		4822 051 20101	100R00 5% 0.1W
1601		4822 267 11051	SOCKET 12P	3672		4822 052 10478	4R70 5% 0.33W
1602		4822 267 11051	SOCKET 12P	3689		4822 051 20472	4K70 5% 0.1W
1603		4822 267 11051	SOCKET 12P	3690		4822 051 20472	4K70 5% 0.1W
				4600		4822 051 20008	0R00 JUMP. (0805)
2600		4822 124 40433	47 μ F 20% 25V	4604		4822 051 20008	0R00 JUMP. (0805)
2601		4822 124 40433	47 μ F 20% 25V	4606		4822 051 20008	0R00 JUMP. (0805)
2602		4822 126 13751	47NF 10% X7R 63V	4607		4822 051 20008	0R00 JUMP. (0805)
2603		4822 124 40769	4.7 μ F 20% 100V	5600		4822 242 10992	CSTCC5.00MG
2604		4822 124 40433	47 μ F 20% 25V				
2605		4822 126 13751	47NF 10% X7R 63V	6600		4822 130 30621	1N4148
2606		4822 126 13751	47NF 10% X7R 63V	6601		4822 130 30621	1N4148
				6602		4822 130 30621	1N4148
3600		4822 051 20223	22K00 5% 0.1W	6603		4822 130 30621	1N4148
3601		4822 116 52175	100E 5% 0.5W	6604		4822 130 30621	1N4148
3602		4822 050 21003	10K00 1% 0.6W				
3603		4822 051 20223	22K00 5% 0.1W	7600		4822 209 17527	μ PD78076GF-078-3BA
3604		4822 051 20223	22K00 5% 0.1W	7601		4822 209 17528	μ PD43256BGU-70LL
3606		4822 051 20105	1M00 5% 0.1W	7602		4822 209 16143	LC89170M
3607		4822 052 10478	4R70 5% 0.33W	7603		4822 209 17529	MN13811-R
3609		4822 117 10837	100K 1% 0.1W	7604		4822 130 43233	2SC2240GR
3611		4822 051 20471	470R00 5% 0.1W	7605		4822 130 43233	2SC2240GR
3612		4822 051 20471	470R00 5% 0.1W	7606		5322 130 60159	BC846B
3613		4822 051 20471	470R00 5% 0.1W				HDAM CIRCUIT BOARD
3614		4822 051 20471	470R00 5% 0.1W	1751	F/N,F/T,F/U,F/F	4822 265 11635	CONN. 8P
3615		4822 051 20471	470R00 5% 0.1W	1752	F/N,F/T,F/U,F/F	4822 267 11051	SOCKET 12P
3616		4822 051 20471	470R00 5% 0.1W				
3617		4822 051 20471	470R00 5% 0.1W	2751	F/N,F/T,F/U,F/F	5322 122 33538	150pF 2% NP0 63V
3618		4822 051 20471	470R00 5% 0.1W	2752	F/N,F/T,F/U,F/F	5322 122 33538	150pF 2% NP0 63V
3619		4822 052 10478	4R70 5% 0.33W	2753	F/N,F/T,F/U,F/F	5322 122 33538	150pF 2% NP0 63V
3620		4822 117 10833	10K 1% 0.1W	2754	F/N,F/T,F/U,F/F	5322 122 33538	150pF 2% NP0 63V
3621		4822 117 10833	10K 1% 0.1W				
3622		4822 051 20223	22K00 5% 0.1W	3751	F/N,F/T,F/U,F/F	4822 051 20121	120R00 5% 0.1W
3625		4822 051 20101	100R00 5% 0.1W	3752	F/N,F/T,F/U,F/F	4822 051 20121	120R00 5% 0.1W
3626		4822 051 20101	100R00 5% 0.1W	3753	F/N,F/T,F/U,F/F	4822 051 20121	120R00 5% 0.1W
3627		4822 051 20101	100R00 5% 0.1W	3754	F/N,F/T,F/U,F/F	4822 051 20121	120R00 5% 0.1W
3628		4822 051 20101	100R00 5% 0.1W	3755	F/N,F/T,F/U,F/F	4822 051 20121	120R00 5% 0.1W
3635		4822 051 20101	100R00 5% 0.1W	3756	F/N,F/T,F/U,F/F	4822 051 20121	120R00 5% 0.1W
3637		4822 051 20101	100R00 5% 0.1W	3757	F/N,F/T,F/U,F/F	4822 051 20121	120R00 5% 0.1W
3638		4822 051 20101	100R00 5% 0.1W	3758	F/N,F/T,F/U,F/F	4822 051 20121	120R00 5% 0.1W
3639		4822 051 20101	100R00 5% 0.1W	3759	F/N,F/T,F/U,F/F	4822 117 12521	68R 1% 0.1W
3649		4822 051 20101	100R00 5% 0.1W	3760	F/N,F/T,F/U,F/F	4822 117 12521	68R 1% 0.1W
3650		4822 051 20101	100R00 5% 0.1W	3761	F/N,F/T,F/U,F/F	4822 117 12521	68R 1% 0.1W
3651		4822 051 20101	100R00 5% 0.1W	3762	F/N,F/T,F/U,F/F	4822 117 12521	68R 1% 0.1W
3652		4822 051 20101	100R00 5% 0.1W	3763	F/N,F/T,F/U,F/F	4822 051 10102	1K00 2% 0.25W
3653		4822 051 20101	100R00 5% 0.1W	3764	F/N,F/T,F/U,F/F	4822 051 10102	1K00 2% 0.25W
3654		4822 051 20101	100R00 5% 0.1W	3765	F/N,F/T,F/U,F/F	4822 051 10102	1K00 2% 0.25W
3655		4822 051 20101	100R00 5% 0.1W	3766	F/N,F/T,F/U,F/F	4822 051 10102	1K00 2% 0.25W
3656		4822 051 20101	100R00 5% 0.1W	3767	F/N,F/T,F/U,F/F	4822 117 12521	68R 1% 0.1W
3657		4822 051 20101	100R00 5% 0.1W	3768	F/N,F/T,F/U,F/F	4822 117 12521	68R 1% 0.1W
3658		4822 051 20101	100R00 5% 0.1W	3769	F/N,F/T,F/U,F/F	4822 117 12521	68R 1% 0.1W
3659		4822 051 20101	100R00 5% 0.1W	3770	F/N,F/T,F/U,F/F	4822 117 12521	68R 1% 0.1W
3660		4822 051 20101	100R00 5% 0.1W	3771	F/N,F/T,F/U,F/F	4822 117 12521	68R 1% 0.1W
3661		4822 051 20101	100R00 5% 0.1W	3772	F/N,F/T,F/U,F/F	4822 117 12521	68R 1% 0.1W
3662		4822 051 20101	100R00 5% 0.1W	3773	F/N,F/T,F/U,F/F	4822 117 12521	68R 1% 0.1W
3663		4822 051 20101	100R00 5% 0.1W	3774	F/N,F/T,F/U,F/F	4822 117 12521	68R 1% 0.1W
3664		4822 051 20101	100R00 5% 0.1W	3775	F/N,F/T,F/U,F/F	4822 051 20333	33K00 5% 0.1W
3665		4822 051 20101	100R00 5% 0.1W	3776	F/N,F/T,F/U,F/F	4822 051 20333	33K00 5% 0.1W
3666		4822 051 20101	100R00 5% 0.1W	3777	F/N,F/T,F/U,F/F	4822 051 20333	33K00 5% 0.1W
3667		4822 051 20101	100R00 5% 0.1W				

(VERS.:VERSION, U:U.S.A., F:JAPAN, K:FAR EAST, **:EUROPE)

POS. NO	VERS. COLOR	PART NO. (FOR PCS)	DESCRIPTION
3778	F/N,F/T,F/U,F/F	4822 051 20333	33K00 5% 0.1W
3779	F/N,F/T,F/U,F/F	4822 051 10102	1K00 2% 0.25W
3780	F/N,F/T,F/U,F/F	4822 051 10102	1K00 2% 0.25W
3781	F/N,F/T,F/U,F/F	4822 051 10102	1K00 2% 0.25W
3782	F/N,F/T,F/U,F/F	4822 051 10102	1K00 2% 0.25W
3783	F/N,F/T,F/U,F/F	4822 051 20101	100R00 5% 0.1W
3784	F/N,F/T,F/U,F/F	4822 051 20101	100R00 5% 0.1W
3785	F/N,F/T,F/U,F/F	4822 051 20101	100R00 5% 0.1W
3786	F/N,F/T,F/U,F/F	4822 051 20101	100R00 5% 0.1W
3787	F/N,F/T,F/U,F/F	4822 051 20229	22R00 5% 0.1W
3788	F/N,F/T,F/U,F/F	4822 051 20229	22R00 5% 0.1W
3789	F/N,F/T,F/U,F/F	4822 051 20229	22R00 5% 0.1W
3790	F/N,F/T,F/U,F/F	4822 051 20229	22R00 5% 0.1W
3791	F/N,F/T,F/U,F/F	4822 051 20229	22R00 5% 0.1W
3792	F/N,F/T,F/U,F/F	4822 051 20229	22R00 5% 0.1W
3793	F/N,F/T,F/U,F/F	4822 051 20229	22R00 5% 0.1W
3794	F/N,F/T,F/U,F/F	4822 051 20229	22R00 5% 0.1W
6751	F/N,F/T,F/U,F/F	4822 130 83757	BAS216
6752	F/N,F/T,F/U,F/F	4822 130 83757	BAS216
6753	F/N,F/T,F/U,F/F	4822 130 83757	BAS216
6754	F/N,F/T,F/U,F/F	4822 130 83757	BAS216
6755	F/N,F/T,F/U,F/F	5322 130 34337	BAV99
6756	F/N,F/T,F/U,F/F	5322 130 34337	BAV99
6757	F/N,F/T,F/U,F/F	5322 130 34337	BAV99
6758	F/N,F/T,F/U,F/F	5322 130 34337	BAV99
6763	F/N,F/T,F/U,F/F	5322 130 34337	BAV99
6764	F/N,F/T,F/U,F/F	5322 130 34337	BAV99
6765	F/N,F/T,F/U,F/F	5322 130 34337	BAV99
6766	F/N,F/T,F/U,F/F	5322 130 34337	BAV99
7751	F/N,F/T,F/U,F/F	4822 130 42839	2SK369BL
7752	F/N,F/T,F/U,F/F	4822 130 42839	2SK369BL
7753	F/N,F/T,F/U,F/F	4822 130 42839	2SK369BL
7754	F/N,F/T,F/U,F/F	4822 130 42839	2SK369BL
7755	F/N,F/T,F/U,F/F	4822 130 42839	2SK369BL
7756	F/N,F/T,F/U,F/F	4822 130 42839	2SK369BL
7757	F/N,F/T,F/U,F/F	4822 130 42839	2SK369BL
7758	F/N,F/T,F/U,F/F	4822 130 42839	2SK369BL
7759	F/N,F/T,F/U,F/F	4822 130 10252	2SC2873Y
7760	F/N,F/T,F/U,F/F	4822 130 10252	2SC2873Y
7761	F/N,F/T,F/U,F/F	4822 130 10252	2SC2873Y
7762	F/N,F/T,F/U,F/F	4822 130 10252	2SC2873Y
7763	F/N,F/T,F/U,F/F	4822 130 11661	2SA1312BL
7764	F/N,F/T,F/U,F/F	4822 130 11661	2SA1312BL
7765	F/N,F/T,F/U,F/F	4822 130 11661	2SA1312BL
7766	F/N,F/T,F/U,F/F	4822 130 11661	2SA1312BL
7767	F/N,F/T,F/U,F/F	4822 130 11661	2SA1312BL
7768	F/N,F/T,F/U,F/F	4822 130 11661	2SA1312BL
7769	F/N,F/T,F/U,F/F	4822 130 11661	2SA1312BL
7770	F/N,F/T,F/U,F/F	4822 130 11661	2SA1312BL
7771	F/N,F/T,F/U,F/F	4822 130 11662	2SC3324BL
7772	F/N,F/T,F/U,F/F	4822 130 11662	2SC3324BL
7773	F/N,F/T,F/U,F/F	4822 130 11662	2SC3324BL
7774	F/N,F/T,F/U,F/F	4822 130 11662	2SC3324BL
7775	F/N,F/T,F/U,F/F	5322 130 41844	2SK170BL
7776	F/N,F/T,F/U,F/F	5322 130 41844	2SK170BL
7777	F/N,F/T,F/U,F/F	5322 130 41844	2SK170BL
7778	F/N,F/T,F/U,F/F	5322 130 41844	2SK170BL
7779	F/N,F/T,F/U,F/F	4822 130 11658	2SJ74BL
7780	F/N,F/T,F/U,F/F	4822 130 11658	2SJ74BL
7781	F/N,F/T,F/U,F/F	4822 130 11658	2SJ74BL
7782	F/N,F/T,F/U,F/F	4822 130 11658	2SJ74BL

(VERS.:VERSION, U:U.S.A., F:JAPAN, K:FAR EAST, **:EUROPE)

POS. NO	VERS. COLOR	PART NO. (FOR PCS)	DESCRIPTION
1801		4822 135 00292	13-ST-35G
1802		4822 265 11184	18FE-ST-VK-N SIDE ENTRY TYPE
1880		4822 276 13775	SWITCH
1881		4822 276 13775	SWITCH
1882		4822 276 13775	SWITCH
1883		4822 276 13775	SWITCH
1884		4822 276 13775	SWITCH
1885		4822 276 13775	SWITCH
1886		4822 276 13775	SWITCH
1887		4822 276 13775	SWITCH
1888		4822 276 13775	SWITCH
1889		4822 276 13775	SWITCH
2805		4822 126 13751	47NF 10% X7R 63V
2806		4822 124 21732	10 μ F 20% 25V
2807		4822 126 13751	47NF 10% X7R 63V
2808		4822 126 13751	47NF 10% X7R 63V
2809		4822 126 13751	47NF 10% X7R 63V
2810		4822 126 13751	47NF 10% X7R 63V
2811		4822 126 13751	47NF 10% X7R 63V
2813		4822 124 80231	47 μ F 20% 16V
2814		4822 126 13838	100NF Y5V 0805 50V P80M20
3810		4822 117 11449	2K2 1% 0.1W
3811		4822 051 20472	4K70 5% 0.1W
3812		4822 117 11507	6K8 1% 0.1W
3813		4822 117 11449	2K2 1% 0.1W
3814		4822 117 11449	2K2 1% 0.1W
3815		4822 051 20472	4K70 5% 0.1W
3816		4822 052 10478	4R70 5% 0.33W
3817		4822 117 10833	10K 1% 0.1W
3818		4822 051 20101	100R00 5% 0.1W
3821		4822 051 20105	1M00 5% 0.1W
3822		4822 117 10833	10K 1% 0.1W
3823		4822 117 10837	100K 1% 0.1W
3824		4822 117 10833	10K 1% 0.1W
3825		4822 116 52175	100E 5% 0.5W
3880		4822 117 11507	6K8 1% 0.1W
3881		4822 117 11449	2K2 1% 0.1W
3882		4822 117 11449	2K2 1% 0.1W
3883		4822 051 20472	4K70 5% 0.1W
3884		4822 117 11507	6K8 1% 0.1W
3885		4822 117 11449	2K2 1% 0.1W
3886		4822 117 11449	2K2 1% 0.1W
3887		4822 051 20472	4K70 5% 0.1W
3888		4822 117 11507	6K8 1% 0.1W
3889		4822 117 11449	2K2 1% 0.1W
4880		4822 051 20008	0R00 JUMP. (0805)
4881		4822 051 20008	0R00 JUMP. (0805)
4882		4822 051 20008	0R00 JUMP. (0805)
4883		4822 051 20008	0R00 JUMP. (0805)
5800		4822 242 10992	CSTCC5.00MG
7800		4822 209 17531	μ PD780204GF-048-3BA
7801		4822 130 10165	GP1U28XP

(VERS.:VERSION, U:U.S.A., F:JAPAN, K:FAR EAST, **:EUROPE)

(VERS.:VERSION, U:U.S.A., F:JAPAN, K:FAR EAST, **:EUROPE)

POS. NO	VERS. COLOR	PART NO. (FOR PCS)	DESCRIPTION	POS. NO	VERS. COLOR	PART NO. (FOR PCS)	DESCRIPTION
1500		4822 267 10871	HF AMP CIRCUIT BOARD				
1501		4822 267 51453	CONN.17POL. FEM. CONN. 39-51-3123 (12P)				
2500		5322 122 31865	1.5NF 10% X7R 63V				
2501		5322 116 80853	560pF 5% NP0 63V				
2502		5322 122 31647	1NF 10% X7R 63V				
2503		4822 126 13751	47NF 10% X7R 63V				
2504		4822 126 13751	47NF 10% X7R 63V				
2505		4822 124 40433	47 μ F 20% 25V				
2506		4822 124 12435	0.47UF 20% 50V				
2507		4822 124 40433	47 μ F 20% 25V				
2508		4822 126 13751	47NF 10% X7R 63V				
3500		4822 117 10837	100K 1% 0.1W				
3501		4822 117 10833	10K 1% 0.1W				
3503		4822 051 20229	22R00 5% 0.1W				
3504		4822 051 20223	22K00 5% 0.1W				
4500		4822 051 20008	0R00 JUMP. (0805)				
7404		5322 209 11517	PC74HCU04T				
7500		4822 209 12636	TDA1320T/N1				
			HEADPHONE JACK CIRCUIT BOARD				
1800	BLK	4822 267 31453	HEADPHONES JACK				
1800	GLD	4822 265 11062	HEADPHONES JACK				
2801		5322 122 34099	470pF 10% X7R 63V				
2802		5322 122 34099	470pF 10% X7R 63V				
2803		4822 126 12882	100NF +80-20% 50V				
			OPTICAL OUT CIRCUIT BOARD				
2812		4822 126 13838	100NF Y5V 0805 50V P80M20				
3960		4822 117 12521	68R 1% 0.1W				
7802		4822 130 10845	GP1F32T OPT				